



Tanks en putten

©GEP 2018



De tanks van uw regenwatersysteem



rethinking water

Varitank

THE VARITANK (FILTER) SHAFT

Unique and innovative shaft system for tanks and wells



PRODUCT DESCRIPTION

GEP has developed a unique filter shaft; the 'Varitank filter shaft'. The filter shaft can be used on all plastic tanks and concrete rainwater tanks from GEP. The concept comes from 15 years of engineering, yard and practical experience.

The unique Varitank filter shaft from GEP has the following features and benefits:

- The Varitank filter shaft slides over the plastic manhole of the tank or concrete pit and is attached with rubber sealing rings to achieve an optimal seal. A simple and time-saving solution. This makes the use of sealant, welds or mortar a thing of the past.
- The peelable and telescopic shafts will immediately give you money! The labor-intensive placing and / or masking of a manhole is no longer necessary. You can cut or raise these shafts in an instant.
- In addition, the shaft can be turned with respect to the tank, so that fewer coupling pieces are required.
- The shafts are expandable with additional connections that can be quickly and easily installed.
- The lid is then telescopic with respect to the inner shaft. This way, the lid can be leveled to the level of the ground level to the nearest millimeter. This can also be done at a later stage of the construction when the garden is finally constructed. This also saves fitting pieces, so money and time.
- The lid set is finally rotatable with respect to the shaft and the tank. In case of finishes with joints in pavements, the joint line will always be perfectly able to follow. This cover can also be tilted slightly to make a perfect finish in sloping surfaces.

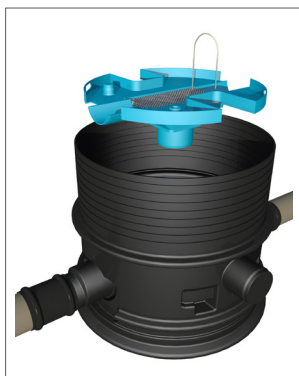
In short: the 'Varitank filter shaft' with associated lids offer a telescopic, shortenable, swiveling and extendable option. The very wide range of lids that fits this offers an "invisible" and child-resistant cover for every situation.

VARITANK

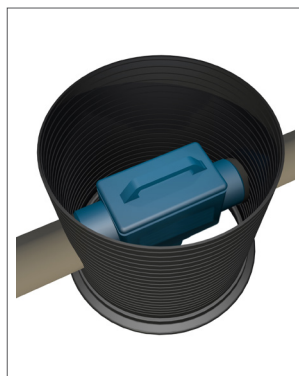
The unique variable (filter) shaft system

- Rotatable
- Short-term
- Telescopic
- Child safe
- Wide range of swivel lids

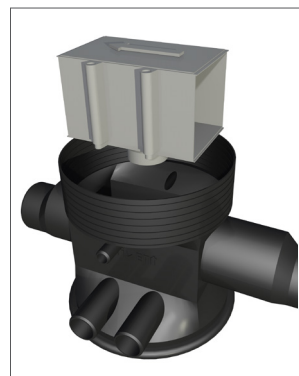
DIFFERENT VARITANK SHAFTS



Varitank filter 150/325



Varitank filter 450

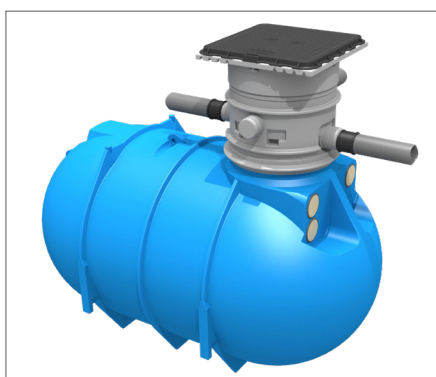


Varitank filter 1650



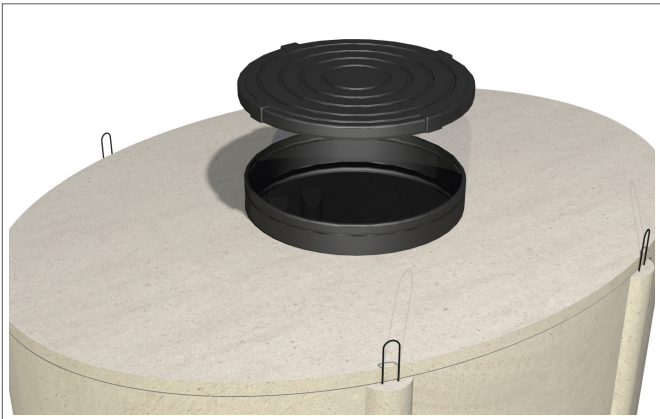
Schachtverlenging

PRACTICAL EXAMPLES

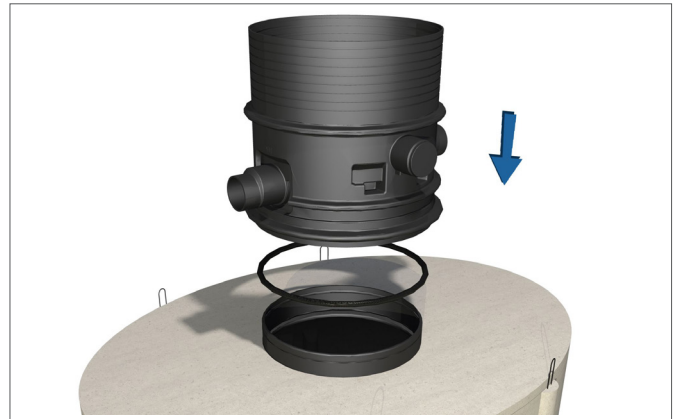


DE VARITANK (FILTER) SCHACHT

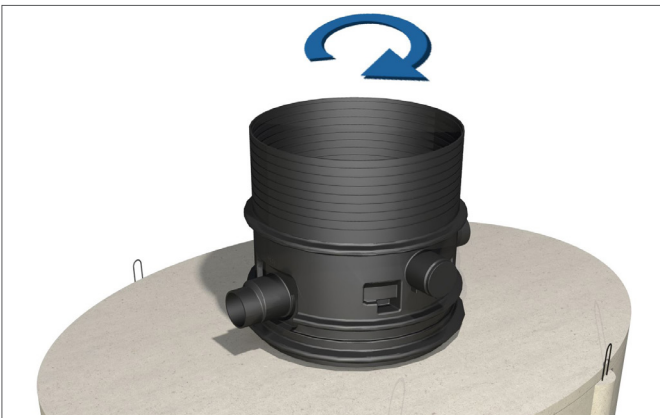
Zeer eenvoudig en snel te plaatsen



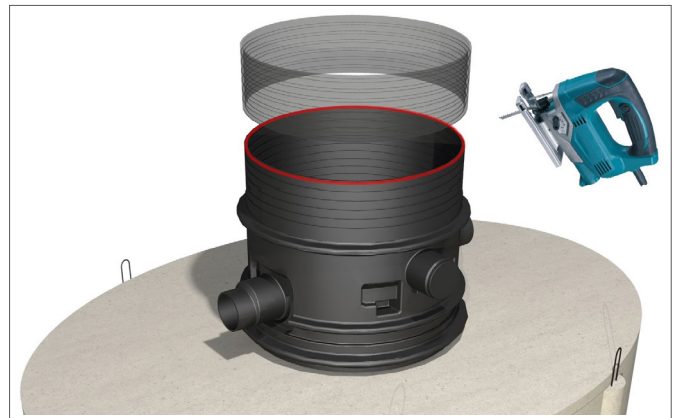
1. Each Varitank has a plastic manhole with tank collar.



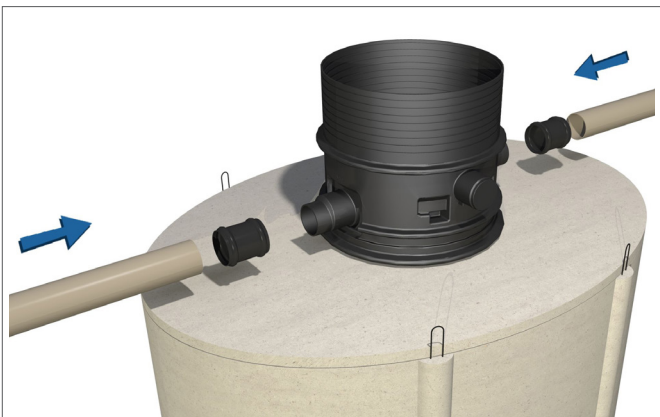
2. Varitank (filter) shaft slides over the tank collar.



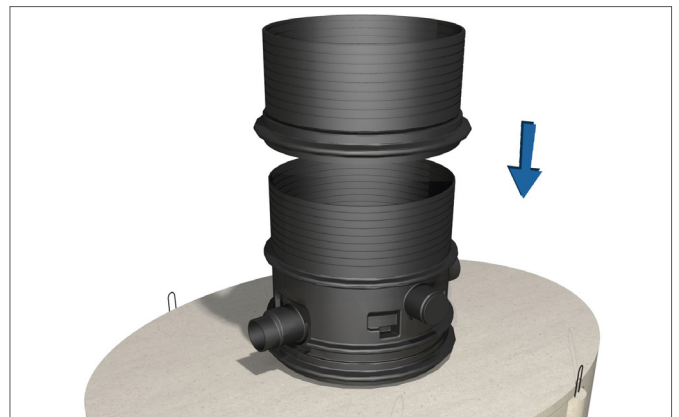
3. Shaft is rotatable relative to the tank.



4. Shaft is easy to shorten.

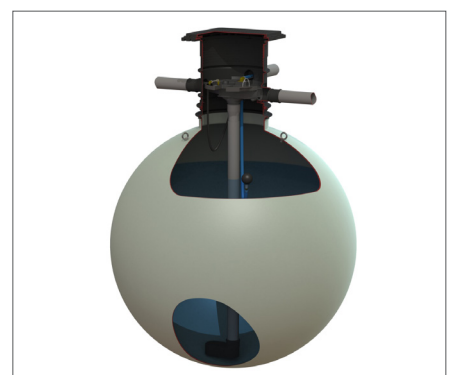
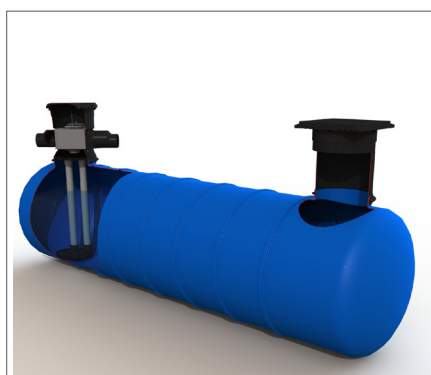
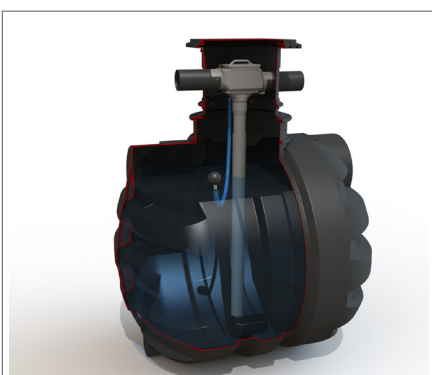


5. Quick assembly with cuff connections.



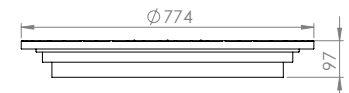
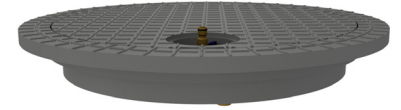
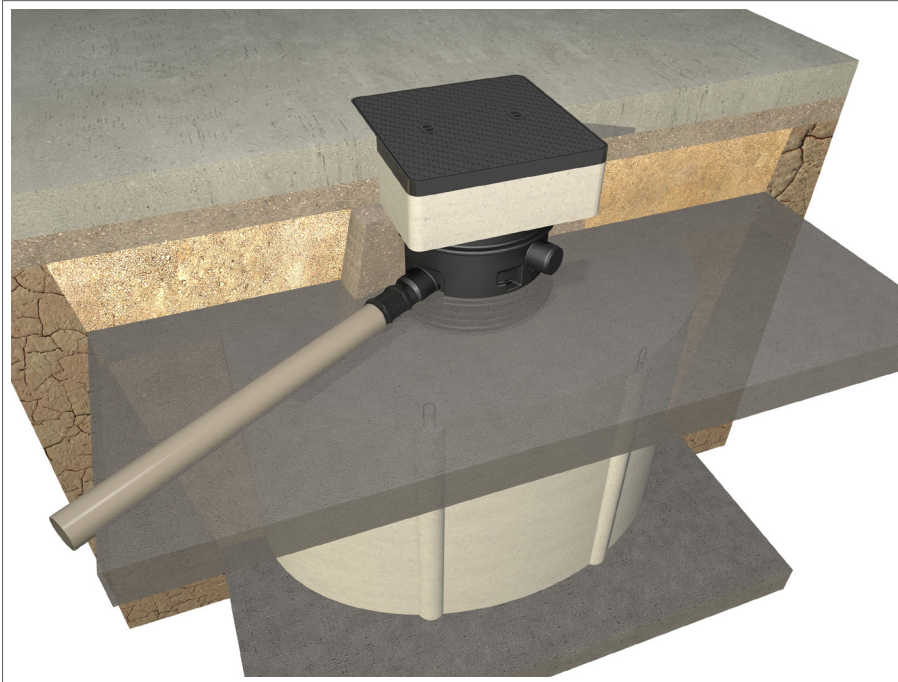
6. The shafts can be raised with optional shaft extension.

PRACTICAL EXAMPLES



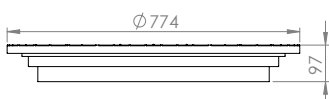
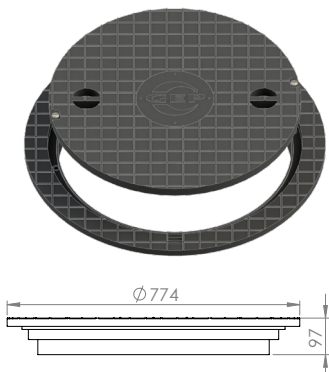
VARITANK LIDS

A suitable and (child) safe lid for every Varitank



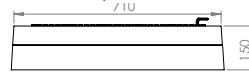
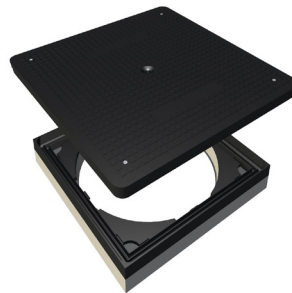
403433 Varitank lid set round, garden cover with faucet.

The plastic lid is taxable for light traffic up to 600 kg wheel load. Is equipped with a small lid with a tap with coupling for garden hose. Equipped with childproof closures, and anti-slip profile. Set includes 10 cm telescopic shaft and sealing ring.



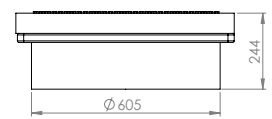
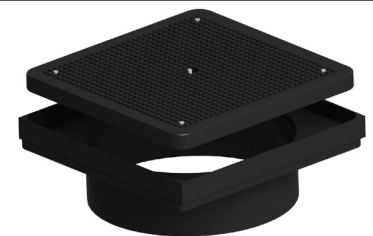
403419 Varitank lid set round, PE 600 kg load capacity.

The plastic lid is taxable for light traffic up to a wheel load of 600 kg. Lid is round and provided with anti-slip profile. The lid has child-proof closures. Comes with 10 cm telescopic shaft and sealing ring.



403423 Varitank lid set square PE in concrete frame class B.

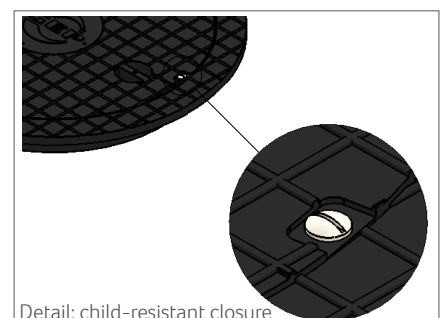
Lid set is traffic class B (car) taxable and equipped with anti-slip profile. The plastic lid falls into a square frame poured in concrete. This offers a solid base that can be laid aesthetically parallel to the joints in the pavement.



403415 Varitank lid set square PE class B traffic.

The plastic class B lid is taxable traffic class B (passenger car) and provided with anti-slip profile. The lid is square and falls into a square frame. Pavement around it is therefore quick, simple and beautiful to lay. Delivered including 20 cm telescopic shaft and sealing ring.

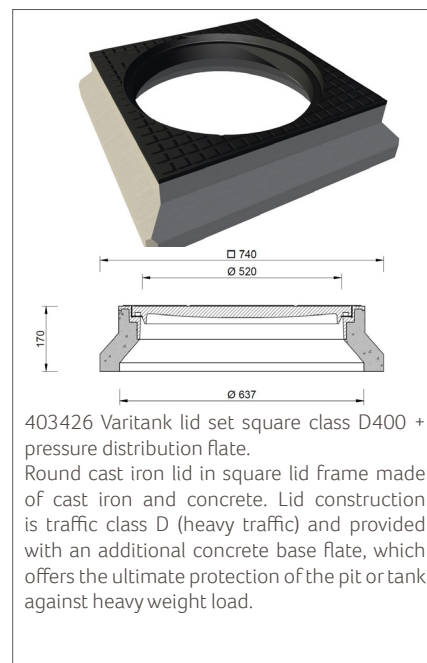
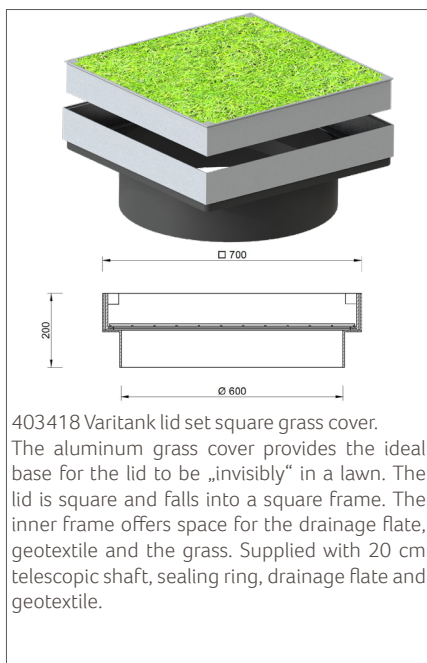
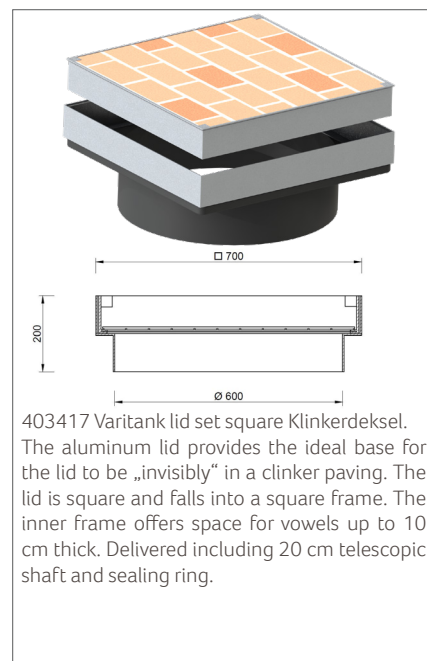
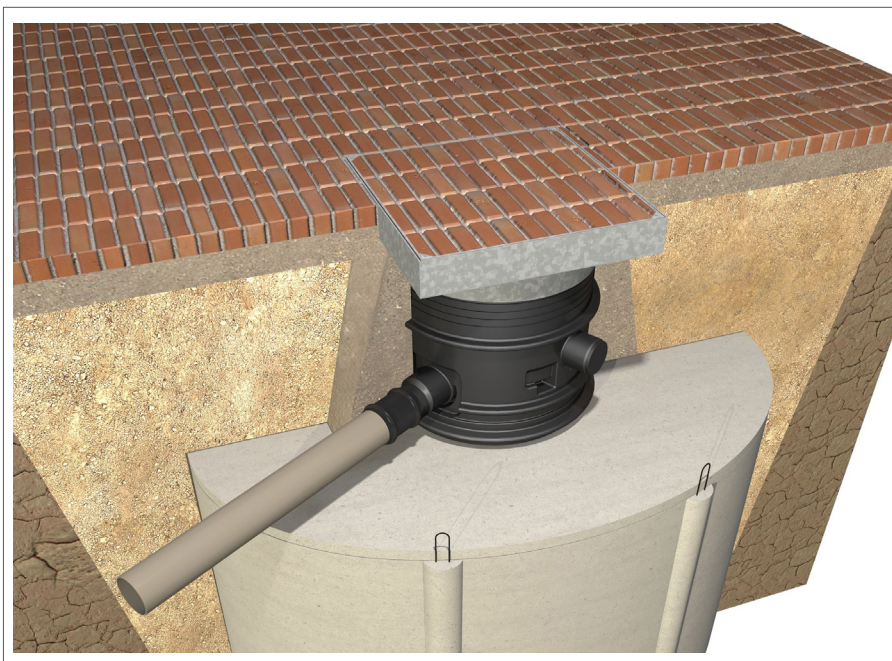
Art nr	NAME	PG
403433	Varitank lid set round, garden cover with tap	3
403419	Varitank lid set round, PE 600 kg wheel load taxable	3
403423	Varitank lid set square PE in concrete frame class B	3
403415	Varitank lid set square PE class B traffic	3



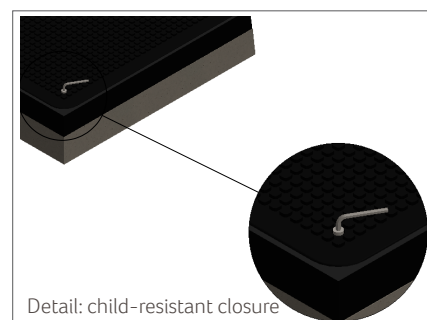
Detail: child-resistant closure

VARITANK LIDS

A suitable and (child) safe lid for every Varitank



Art nr	NAME	PG
403417	Varitank lid set square, vowel lid	3
403418	Varitank lid set square, grass cover	3
403428	Varitank lid set around class D cast iron	3
403426	Varitank lid set square class D400 + pressure distribution flate	3



FLEXOLINE RAINWATER WELL

Rainwater well of concrete, traffic class A and B



PRODUCT DESCRIPTION

The Flexoline rainwater wells (elliptical) are made of vibrating concrete. The walls and bottom form a monolithic whole. The Flexoline rainwater well is suitable for storing rainwater from roofs. The rainwater well consists of a concrete tub and cover plate, sealed with sealant.

A PE ring has been poured into the cover plate and serves as a manhole. The PE ring is equipped with a walkable cover to prevent contamination in the pit during construction. The PE ring protrudes approx. 8 cm above the cover plate. A PE increment can be mounted on this with or without an integrated rainwater filter.

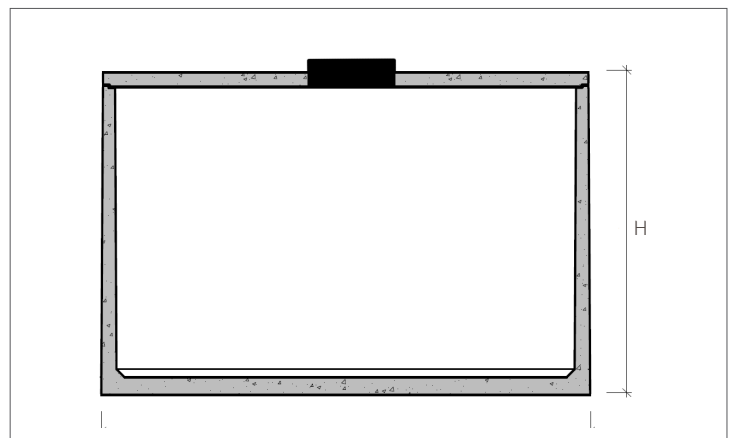
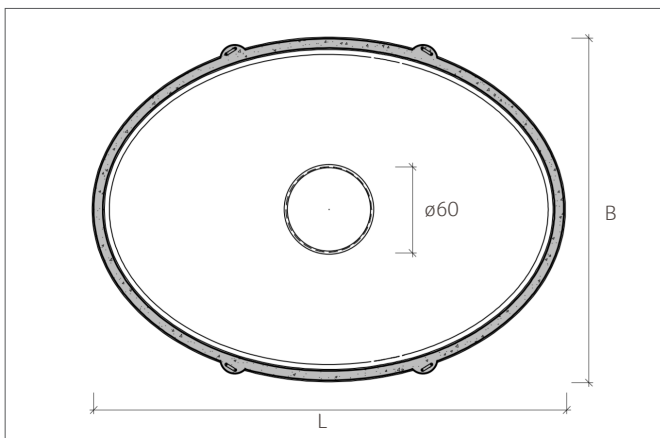
APPLICATION AREA

The tank has to be buried at a certain depth, depending on the level of the HWA pipes and the ground level. The tank must remain accessible for maintenance. Ground cover is maximum 80 cm. With more ground cover or higher static loads, a reinforced concrete distribution board must be fitted with a correct finish of the manhole.

TECHNICAL DATA FLEXOLINE REGENWATERPUT VERKEERSCLASS A / B

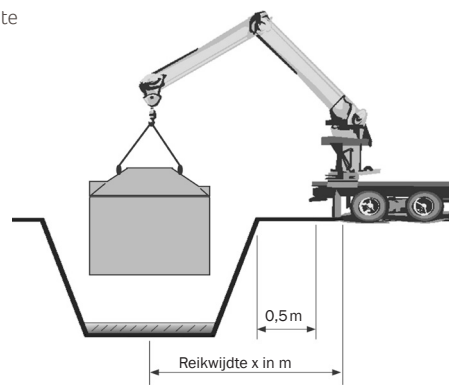
Volume in liter	Length L in cm	Width B in cm	Height H in cm	Weight in kg	Manhole in cm	Max. Diepte in cm
2.000	220	115	144 / 151	1.705 / 2.040	ø60	230
2.600	220	115	173 / 180	1.810 / 2.245	ø60	250
4.000	245	220	125 / 133	2.800 / 3.550	ø60	205
5.000	245	220	150 / 158	3.150 / 3.900	ø60	230
7.500	245	220	216 / 224	3.800 / 4.550	ø60	295
7.500 (flat)	330	240	158 / 166	4.600 / 6.000	ø60	240
10.000	330	240	197 / 206	5.350 / 6.650	ø60	280
15.000	340	290	233 / nvt	6.850 / nvt	ø60	315
15.000 (small)	430	240	231 / 239	8.145 / 9.486	ø60	310
20.000	440	330	210 / nvt	8.465 / nvt	ø60	290
20.000 (small)	450	290	232 / 240	8.880 / 10.935	ø60	310

TECHNICAL DRAWINGS



REACH CRANE

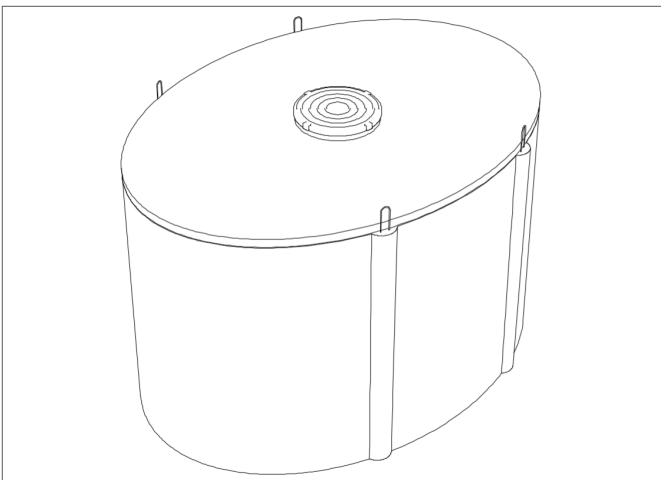
Tank type	Reikwijdte
Tot 5.000 L	5,0 m
7.500 L	4,0 m
10.000 L	1,0 m
15.000 L	0,2 m
20.000 L	n.v.t.



GEP delivers concrete wells with crane trucks up to 10,000 kg. The concrete pits are unloaded at the desired delivery address next to the truck on the condition that it can be carried out within 30 minutes and the location is accessible (passable ground and space for lateral stamping). The final decision lies with the driver of the unloading truck. In consultation, the driver can also decide to place the pit directly in the hole.

As an indication, the table “Kran bereiken” shows the possibilities for placing the concrete pit in a pre-dug hole. No rights can be derived from this. For concrete pits heavier than 10,000 kg or locations where the conditions for independent unloading are not possible, a crane must be present to unload the concrete pits.

TECHNICAL DRAWINGS



OPTIONS

Varitank filter

Various Varitank (filter) shafts are available that fit onto the man hole so that the pit can be used as a high-quality rainwater well.

Varitank inner shaft 60cm

The rainwater well can be extended with a shortenable plastic shaft so that the manhole remains accessible.

Very wide range of lids

For the Flexoline rainwater wells a large range of lids is available, with different traffic class, different materials and different shapes. See the Varitank lids from GEP.

Transits

The rainwater wells can be supplied with ducts to connect pipes and pipes. These penetrations can be realized on customer request and are all including rubber cuff.

SCOPE OF DELIVERY

Product consists of: Rain washer with four lifting loops, a plastic collar and safety cover poured into the cover flate.

ORDERING INFORMATION VERKEERSCLASS A

Art nr	NAME	PG
403351	Rain water well concrete 2.000 liter class A	8
403352	Rain water well concrete 2.600 liter class A	8
403353	Rain water well concrete 4.000 liter class A	8
403354	Rain water well concrete 5.000 liter class A	8
403355	Rain water well concrete 7.500 liter class A	8
403356	Rain water well concrete 7.500 liter class A flat	8
403357	Rain water well concrete 10.000 liter class A	8
403358	Rain water well concrete 15.000 liter class A	8
403359	Rain water well concrete 15.000 liter class A smalll	8
403360	Rain water well concrete 20.000 liter class A	8
403361	Rain water well concrete 20.000 liter class A smalll	8

Wide range of lids available, see Varitank lids from GEP.

ORDERING INFORMATION VERKEERSCLASS B

Art nr	NAME	PG
403362	Rain water well concrete 2.000 liter class B	8
403363	Rain water well concrete 2.600 liter class B	8
403364	Rain water well concrete 4.000 liter class B	8
403365	Rain water well concrete 5.000 liter class B	8
403366	Rain water well concrete 7.500 liter class B	8
403367	Rain water well concrete 7.500 liter class B flat	8
403368	Rain water well concrete 10.000 liter class B	8
403370	Rain water well concrete 15.000 liter class B small	8
403372	Rain water well concrete 20.000 liter class B small	8
403607	Pass through ø110 including rubber cuff	8
403512	Varitank inner shaft 60 cm	3

FLEXOLINE RAINWATER WELL

Rain water well of concrete for heavy traffic, traffic class D



PRODUCT DESCRIPTION

The Flexoline rainwater wells for heavy traffic are made of self-compacting concrete. The walls and bottom form a monolithic whole. The Flexoline rainwater well for traffic load is suitable for storing rainwater from roofs. The rainwater well consists of a concrete tub and cover plate, sealed with sealant. A PE ring has been poured into the cover plate and serves as a manhole.

The PE ring is equipped with a walkable cover to prevent contamination in the pit during construction. The PE ring protrudes approx. 8 cm above the cover plate. A PE increment can be mounted on this with or without an integrated rainwater filter.

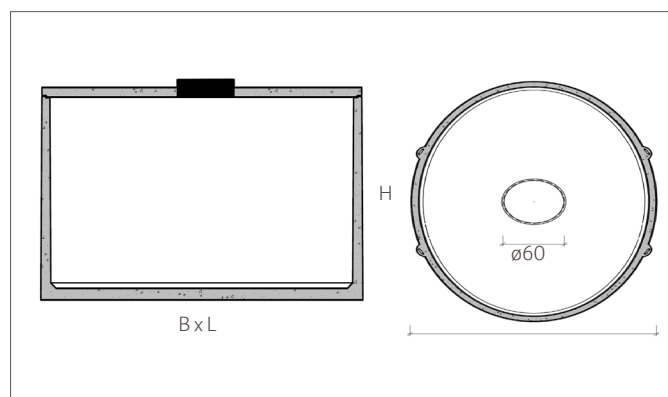
APPLICATION AREA

The tank has to be buried at a certain depth, depending on the level of the HWA pipes and the ground level. The tank must remain accessible for maintenance. Ground cover is maximum 80 cm. With more ground cover or higher static loads, a reinforced concrete distribution board must be fitted with a correct finish of the manhole.

TECHNICAL DATA FLEXOLINE REGENWATERPUT

Volume in liter	Dimensions in cm	Height H in cm	Weight in kg	Max. gronddekking in cm
5.000	ø224	196	6.375	150
7.500	ø224	277	7.925	150
13.000	ø274	298	11.055	150
20.000	450 x 300	245	15.000	100

TECHNICAL DRAWINGS



ORDERING INFORMATION

Art nr	NAME	PG
403441	Regenwaterput beton 5.000 liter Class D	8
403444	Regenwaterput beton 7.500 liter Class D	8
403447	Regenwaterput beton 13.000 liter Class D	8
403448	Regenwaterput beton 20.000 liter Class D	8
403606	Doorvoering ø110 inclusief rubber manchet	8
403609	Doorvoering ø160 inclusief rubber manchet	8
403610	Doorvoering ø200 inclusief rubber manchet	8
403611	Doorvoering ø250 inclusief rubber manchet	8
403512	Varitank binnenschacht 60 cm	3

Ruim assortiment aan deksels leverbaar, zie de Varitank deksels van GEP.

TECHNICAL DRAWINGS



(WATER) BASEMENT

Concrete (water) cellars, technical rooms, wine cellars etc.



PRODUCT DESCRIPTION

Prefabricated cellars are the ideal solution to create additional space or a technical room. A prefabricated cellar can be used for countless purposes, such as a cool storage room, wine cellar, laundry room, storage room, etc.

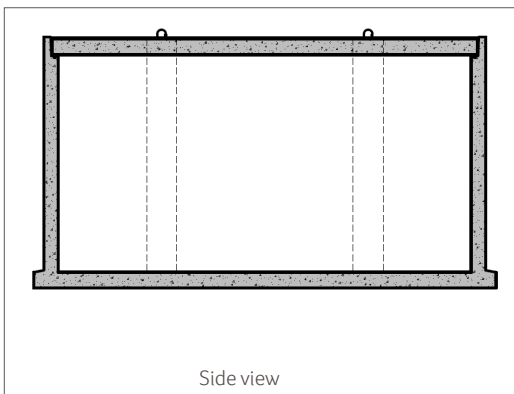
GEP can also supply the cellars as pre-assembled technical rooms. The basement is then prefabricated with pre-assembled pumps, submersible pumps and / or sprinkler pumps. In addition, GEP can complete the technical space with numerous specific customer requirements such as ladders, stairs, covers, lighting, floor drainage, etc.

On customer request, the basements can also be provided with a plastic shaft in the cover flate, on which the Varitank shaft and cover of GEP fit.

APPLICATION AREA

The prefabricated cellars are also ideal for placing under garden sheds or under a new building, such as a garage or porch. So your house or garden shed will still get the extra space you need. Access to the basement is determined by you according to the desired staircase position.

TECHNICAL DRAWINGS



TECHNICAL DATA BASEMENT

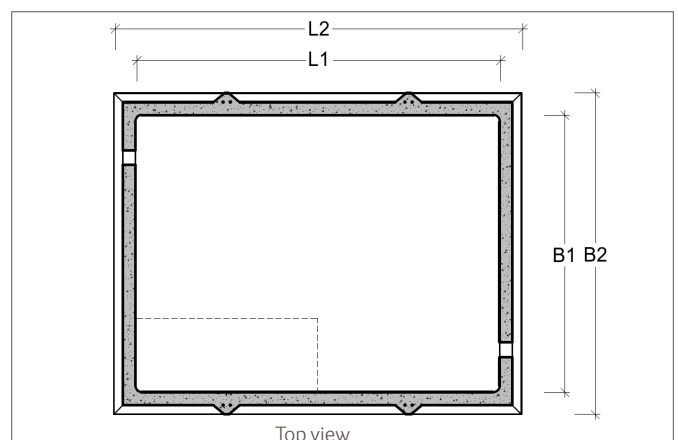
Type	L1 in cm	B1 in cm	H1 in cm	L2 in cm	B2 in cm	H2 in cm	Weight in kg
K1	200	230	210	244	274	260	9.432
K2	300	230	210	344	274	260	12.484
K3	400	230	210	444	274	260	15.537
K4	400	300	210	448	348	263	21.180
K5	500	300	210	548	348	263	25.180
K6	600	300	210	648	348	263	29.196
K7	700	300	210	748	348	263	33.304

ORDERING INFORMATION

Art nr	NAME	PG
401361	Basement concrete K1	8
401362	Basement concrete K2	8
401363	Basement concrete K3	8
401364	Basement concrete K4	8
401365	Basement concrete K5	8
401366	Basement concrete K6	8
401367	Basement concrete K7	8

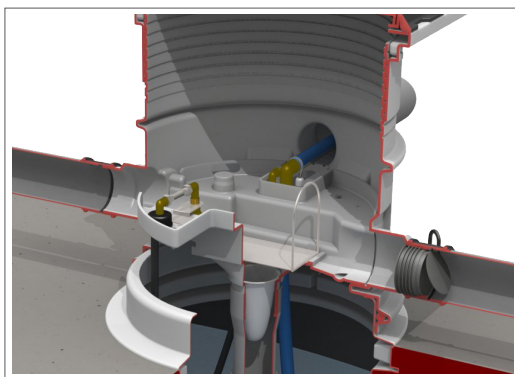
The cellars can be provided with different throughputs, to be realized on customer request. This also applies to a stairwell or manhole. The cellar can also be raised, please contact GEP.

TECHNICAL DRAWINGS



FLEXOLINE VARITANK 325

Regenwaterput van beton met ingebouwd regenwaterfilter



triDENT
Advanced Filtertechnology

PRODUCT DESCRIPTION

The Flexoline Varitank 325 consists of a concrete rainwater well and Varitank filter 325. The walls and bottom form a monolithic whole. The Flexoline rainwater well is suitable for storing rainwater. The rainwater well consists of a concrete tub and cover plate, sealed with sealant. A PE ring has been poured into the cover plate, which serves as a manhole. This is equipped with a walkable cover for safety and to prevent pollution. The ring protrudes approx. 8 cm above the cover plate, the Varitank filter should be mounted on it. It consists of a filter shaft made of PE, a filter tray and a Trident filter flate made of stainless steel with triangular blades that are at right angles to the water flow. The distance between the slats is approx. 0.5 mm. Because the slats are tilted a few degrees, the rainwater is braked and discharged to the tank. The filter tray is also equipped with two skimmer overflows. When the tank is full, the excess rainwater will drain directly through the filter flate and wash away any remaining dirt. The Varitank filter is traffic class A taxable. The filter dish is completely removable so that the rain well remains accessible for inspection and maintenance. The filter tray is lockable and offers extra (child) safety.

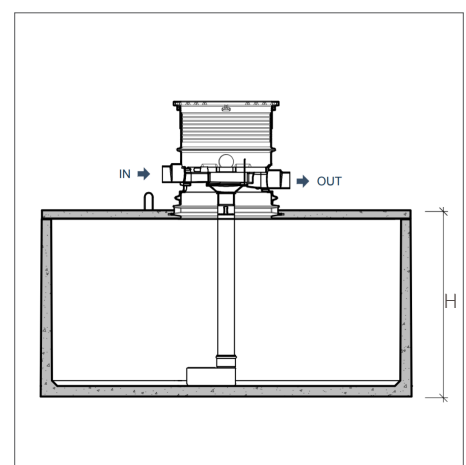
APPLICATION AREA

The tank has to be buried at a certain depth, depending on the level of the HWA pipes and the ground level. The tank must remain accessible for maintenance. Ground cover is maximum 80 cm. In case of more ground cover or higher static loads, a divider flate of reinforced concrete must be fitted. The Varitank filter 325 is suitable for filtering rainwater from roofs **with a maximum roof surface of up to 325 m²**. **The filter shaft is placed on the PE ring of the pit and sealed with a rubber ring. The shaft can be rotated 360 degrees to simplify the connection of the piping and can be shortened or raised at any desired Width by means of PE attachments. The decay between the supply and discharge of rainwater is 40 mm.**

TECHNICAL DATA FLEXOLINE VARITANK 325

Volume in liter	Length L in cm	Width B in cm	Height H in cm	Weight in kg	Max. Diepte in cm
2.600	220	115	173	1.810	230
4.000	245	220	125	2.800	205
5.000	245	220	150	3.150	230
7.500	245	220	216	3.800	295
7.500 (flat)	330	240	158	4.600	240
10.000	330	240	197	5.350	280
15.000	340	290	233	6.850	315
15.000 (small)	430	240	231	8.145	310
20.000	440	330	210	8.465	290
20.000 (small)	450	290	232	8.880	310

Side view

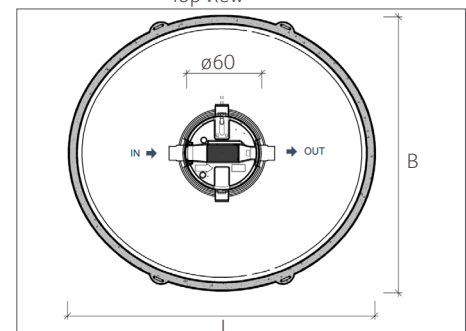


DELIVERY

GEP delivers concrete wells with crane trucks up to 10,000 kg. The concrete pits are unloaded at the desired delivery address next to the truck on the condition that it can be carried out within 30 minutes and the location is accessible (passable ground and space for lateral stamping).

The final decision lies with the driver of the unloading truck. In consultation, the driver can also decide to place the pit directly in the hole. For concrete pits heavier than 10,000 kg or locations where the conditions for independent unloading are not possible, a crane must be present to unload the concrete pits.

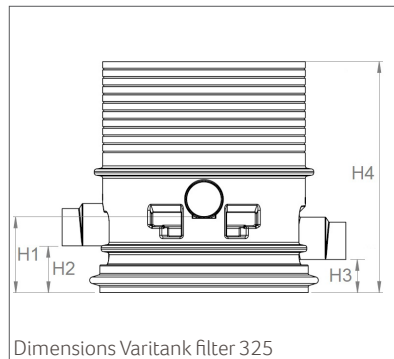
Top view



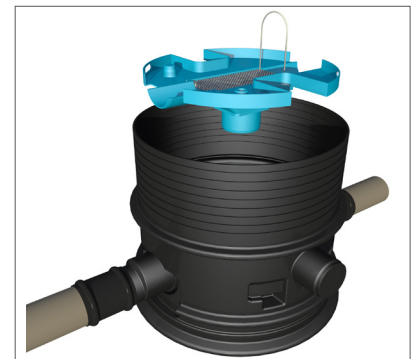
TECHNICAL DATA VARITANK FILTER 325

Height H1 in mm:	223
Height H2 in mm:	137
Height H3 in mm:	97
Height H4 in mm:	450-600
Weight in kg:	20
Connection in / out in mm:	110/125
Connection of casing pipe in mm:	2x 110
Manhole Ø in mm:	600
Max. roof area in m2:	325
Height difference on the drain in mm:	40
Housing material:	PE
Material filter plate:	RVS
Connection of nozzle (optional):	1/2"

TECHNICAL DRAWINGS



PRINCIPESHEMA



OPTIONS

Sprinkler set for Varitank filter 325

The nozzle set ensures that the filter is periodically cleaned. The set consists of a filter nozzle, mounting bracket and hose for the coupling between the filter tray and filter shaft so that the dish remains removable.

Automatic time-controlled filter cleaner 1/2 "

Time-controlled filter cleaner enables automatic filter cleaning. The nozzle will clean the filter surface at freely adjustable times.

Fine filter bag

The fine filter can be placed under the Trident filter flate. This filter bag filters very finely to a mesh size of 150 µm. This fine filter can be used in places where high demands are placed on the water quality.

Backflow alarm for Trident filters

The filter can be equipped with an alarm sensor that signals backflow from the overflow. This alarm sensor can be connected on an IRM rainwater system that switches to drinking water as soon as an alarm signal comes from the sensor. This prevents contamination of the pump, sanitary pipes and appliances.

Varitank inner shaft 60 cm

The shaft with the sealing ring supplied can be mounted on the filter shaft. The shaft can easily be shortened. Each type of Varitank lid can be easily equated to the ground level.

Check valve for Trident 150 tank filter

Valve to place behind the filter in the drain. Plug-in model, suitable for 110 mm pipe sections. Reduces the risk of backflow from the overflow towards the tank. Material polypropylene black, with flexible rubber lining.

Varitank lid set

Each Varitank filter has a wide range of lids, available in traffic classes A, B and D. Check the special Varitank lid page to choose which lid is best suited for your situation.

SCOPE OF DELIVERY

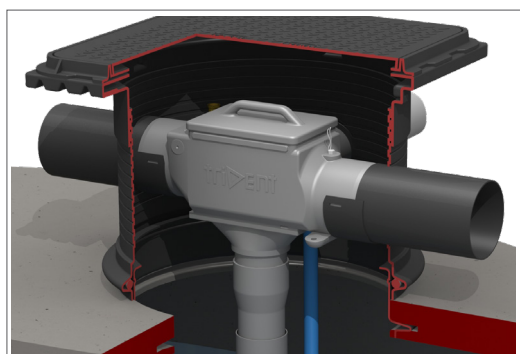
Product consists of: a concrete rain washer with plastic penetration ring, equipped with four lifting loops, filter shaft with built-in child-resistant filter tray, plastic cover, rubber ring, lubricant, telescopic tube, quiet supply and Trident filter flate with extraction bracket.

ORDERING INFORMATION

Art nr	NAME	PG	Art nr	Options	PG
403908	Flexoline Varitank 325 - 2.600 liter class A	8	401152	Sprinkler set for Varitank filter 325	2
403301	Flexoline Varitank 325 - 4.000 liter Class A	8	401155	Automatic time-controlled filter cleaner 1/2 "	2
403302	Flexoline Varitank 325 - 5.000 liter Class A	8	401157	Fine filter bag	2
403303	Flexoline Varitank 325 - 7.500 liter Class A	8	401158	Backflow alarm for Trident filters	2
403304	Flexoline Varitank 325 - 7.500 liter Class A flat	8	403512	Varitank inner shaft 60 cm	3
403305	Flexoline Varitank 325 - 10.000 liter Class A	8	401165	Check valve for Trident 150 tank filter	2
403306	Flexoline Varitank 325 - 15.000 liter Class A	8	403682	Varitank Twist 2 meters	2
403307	Flexoline Varitank 325 - 15.000 liter Class A small	8	403681	Varitank Twist 3 meters	2
403308	Flexoline Varitank 325 - 20.000 liter Class A	8	Heavier traffic Class B and D (light and heavy traffic) available on request. Wide range of lids available, see Varitank lids from GEP.		
403309	Flexoline Varitank 325 - 20.000 liter Class A small	8			

FLEXOLINE VARITANK 450

Rainwater well of concrete with built-in rainwater filter



trident
Advanced Filtertechnology

PRODUCT DESCRIPTION

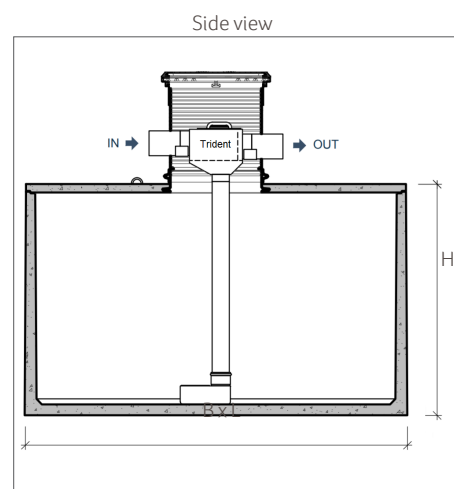
The Flexoline Varitank 450 consists of a concrete rain water well and Varitank filter 450. The walls and bottom form a monolithic whole. The Flexoline rainwater well is suitable for storing rainwater. The rainwater well consists of a concrete tub and cover plate, sealed with sealant. A PE ring has been poured into the cover plate, which serves as a manhole. This is equipped with a walkable cover for safety and to prevent pollution. The ring protrudes approx. 8 cm above the cover plate, the Varitank filter should be mounted on it. This consists of a filter shaft made of PE with pre-assembled Trident 450 tank filter with a filter flate made of stainless steel with triangular strips. Because these are tilted a few degrees, the rainwater is braked and discharged to the tank. The tank filter is also equipped with two skimmer overflow. When the rainwater tank is full, the excess rainwater will drain away. In the event of heavy rainfall, the excess rain water will drain directly through the filter flate and wash away any remaining dirt. The Varitank filter is traffic class A taxable. The tank filter is completely removable by means of click connections so that the rain well remains accessible for inspection and maintenance.

APPLICATION AREA

The tank must be buried at a certain depth, depending on the level of the HWA pipes and ground level. The tank must remain accessible for maintenance. Ground cover is maximum 80 cm. In case of more ground cover or higher static loads, a divider flate of reinforced concrete must be fitted. The Varitank filter 450 is suitable for filtering rainwater from roofs with a maximum roof surface of up to 450 m². The filter shaft is placed on the PE ring of the pit and sealed with a rubber ring. The shaft can be rotated 360 degrees to simplify the connection of the piping and can be shortened or raised at any desired Width by means of PE attachments. The decay between the supply and discharge of rainwater is 39 mm.

TECHNICAL DATA FLEXOLINE VARITANK 450

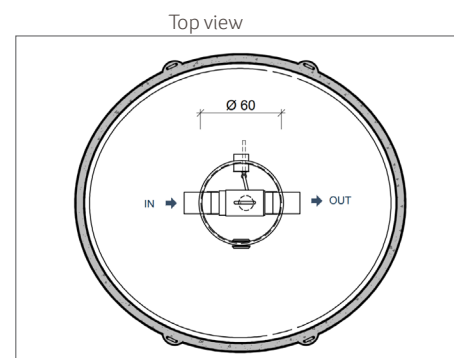
Volume in liter	Length L in cm	Width B in cm	Height H in cm	Weight in kg	Max. Diepte in cm
4.000	245	220	125	2.800	205
5.000	245	220	150	3.150	230
7.500	245	220	216	3.800	295
7.500 (flat)	330	240	158	4.600	240
10.000	330	240	197	5.350	280
15.000	340	290	233	6.850	315
15.000 (small)	430	240	231	8.145	310
20.000	440	330	210	8.465	290
20.000 (small)	450	290	232	8.880	310



DELIVERY

GEP delivers concrete wells with crane trucks up to 10,000 kg. The concrete pits are unloaded at the desired delivery address next to the truck on the condition that it can be carried out within 30 minutes and the location is accessible (passable ground and space for lateral stamping).

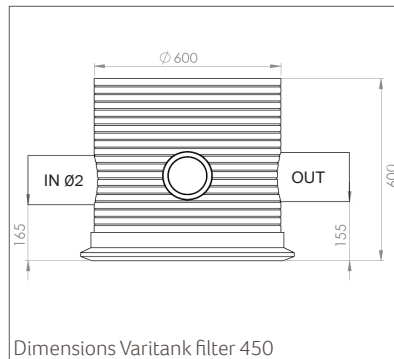
The final decision lies with the driver of the unloading truck. In consultation, the driver can also decide to place the pit directly in the hole. For concrete pits heavier than 10,000 kg or locations where the conditions for independent unloading are not possible, a crane must be present to unload the concrete pits.



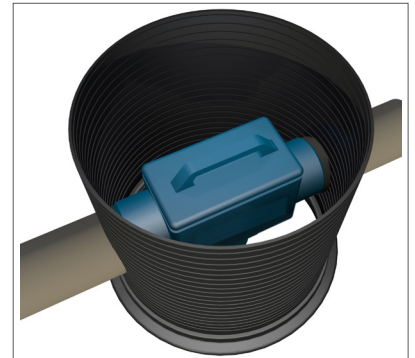
TECHNICAL DATA VARITANK FILTER 450

Height in mm:	600
Height IN mm:	165
Height UIT mm:	155
Weight in kg:	20
Connection in / out in mm:	160
Connection of casing pipe in mm:	110
Manhole Ø in mm:	600
Max. roof area in m2:	450
Height difference on the drain in mm:	39
Housing material:	PE
Material filter plate:	RVS
Connection of nozzle (optional):	1/2"

TECHNICAL DRAWINGS



PRINCIPESHEMA



OPTIONS

Nozzle set for 450 tank filter

The nozzle set ensures that the filter is periodically cleaned. The set consists of a filter sprayer.

Automatic time-controlled filter cleaner 1/2 "

Time-controlled filter cleaner enables automatic filter cleaning. The nozzle will clean the filter surface at freely adjustable times.

Fine filter bag

The fine filter can be placed under the Trident filter flate. This filter bag filters very finely to a mesh size of 150 µm. This fine filter can be used in places where high demands are placed on the water quality.

Backflow alarm for Trident filters

The filter can be equipped with an alarm sensor that signals backflow from the overflow. This alarm sensor can be connected to an IRM rainwater system that switches to drinking water as soon as an alarm signal comes from the sensor. This prevents contamination of the pump, sanitary pipes and appliances.

Varitank inner shaft 60 cm

The shaft with the sealing ring supplied can be mounted on the filter shaft. The shaft can easily be shortened. Each type of Varitank lid can be easily equated to the ground level.

Varitank lid set

Each Varitank filter has a wide range of lids, available in traffic classes A, B and D. Check the special Varitank lid page to choose which lid is best suited for your situation.

SCOPE OF DELIVERY

Product consists of: a concrete rain washer with plastic penetration ring, equipped with four lifting loops, filter shaft with two click connections with built-in filter housing, plastic cover, rubber ring, lubricant, telescopic tube, quiet supply and Trident filter flate with extraction bracket.

ORDERING INFORMATION

Art nr	NAME	PG	Art nr	Options	PG
403320	Flexoline Varitank 450 - 4.000 liter Class A	8	401151	Nozzle set for 450 tank filter	2
403321	Flexoline Varitank 450 - 5.000 liter Class A	8	401155	Automatic time-controlled filter cleaner 1/2 "	2
403322	Flexoline Varitank 450 - 7.500 liter Class A	8	401157	Fine filter bag	2
403323	Flexoline Varitank 450 - 7.500 liter Class A flat	8	401158	Backflow alarm for Trident filters	2
403324	Flexoline Varitank 450 - 10.000 liter Class A	8	403512	Varitank inner shaft 60 cm	3
403325	Flexoline Varitank 450 - 15.000 liter Class A	8	403682	Varitank Twist 2 meters	2
403326	Flexoline Varitank 450 - 15.000 liter Class A small	8	403681	Varitank Twist 3 meters	2
403327	Flexoline Varitank 450 - 20.000 liter Class A	8	Heavier traffic Class B and D (light and heavy traffic) available on request. Wide range of lids available, see Varitank lids from GEP.		
403328	Flexoline Varitank 450 - 20.000 liter Class A small	8			

FLEXOLINE VARITANK 1.650

Rainwater well of concrete with built-in rainwater filter



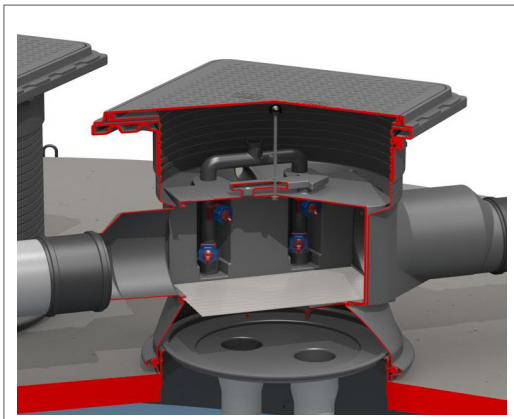
triDENT
Advanced Filtertechnology

PRODUCT DESCRIPTION

The Flexoline Varitank 1650 consists of a concrete tank and Varitank filter 1650. The walls and bottom form a monolithic whole. The Flexoline rainwater well is suitable for storing rainwater from roofs. The rainwater well consists of a concrete tub and cover flate, sealed with sealant. Two PE rings have been poured into the cover flate and serve as a manhole. These rings are equipped with walkable covers for safety and to prevent pollution. The rings protrude approx. 8 cm above the cover flate. The Varitank filter 1650 filter must be mounted on this. The Varitank filter 1650 consists of a filter housing of PE, a filter box and a filter flate of stainless steel with triangular blades that are at right angles to the water flow. The distance between the slats is approx. 0.5 mm. Because the slats are tilted a few degrees, the rainwater is braked and discharged to the tank. The entrained dirt remains behind on the filter flate. In case of heavy rainfall, the excess rain water will drain directly via the filter flate and the remaining dirt will wash away on the filter flate. The Varitank filter is traffic class A taxable. The filter box completely closes the tank and thus offers extra (child) safety.

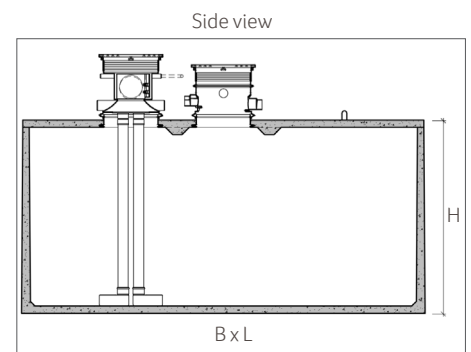
APPLICATION AREA

The tank must be buried at a certain depth, depending on the level of the HWA pipes and ground level. The tank must remain accessible for maintenance. Ground cover is maximum 80 cm. If there is more ground cover or if there are higher static loads, a distribution flate in reinforced concrete must be applied with a correct finish of the manhole. The Varitank filter is suitable for filtering rainwater from roofs of buildings with a maximum roof surface of up to 1650 m². The filter shaft is placed on the PE ring of the pit and sealed with a rubber ring. The shaft can be rotated 360 degrees to facilitate the connection of the piping and can be shortened or raised at any desired Width by means of PE attachments. The decay between the supply and discharge of rainwater is 12 mm.



TECHNICAL DATA FLEXOLINE VARITANK 1.650

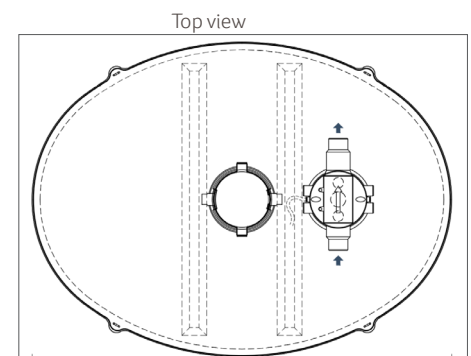
Volume in liter	Length L in cm	Width B in cm	Height H in cm	Weight in kg	Max. Diepte in cm
15.000 Class A	340	290	233	6.850	315
15.000 Class A (small)	430	240	229	7.500	310
20.000 Class A	440	330	210	9.500	290
20.000 Class A (small)	450	290	230	8.880	310
15.000 Class B (small)	430	240	237	9.000	385
20.000 Class B (small)	450	290	238	10.600	315
13.750 Class D	ø274	ø274	265	11.055	345
20.000 Class D	450	300	245	15.000	345



DELIVERY

GEP loves concrete wells with crane trucks up to 10,000 kg. Those concrete pits were thus given the loveliness of the bed of the condition, which was completed within 30 minutes of the meeting and the location is accessible (Begehraer floor and space for side punching).

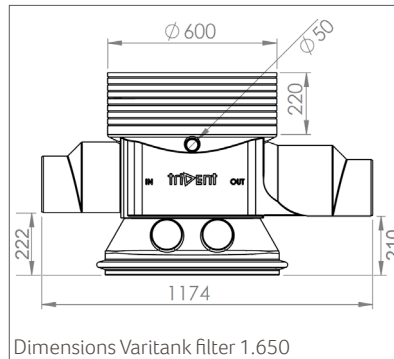
The final decision was made by the driver of the unloading car. In consultation with the driver what allowed to partake, which pit directly emptied in the hole. For concrete pits with a weight of more than 10,000 kg for places where the conditions for independent unloading do not exist, a crane for unloading the concrete pits must be present.



TECHNICAL DATA VARITANK FILTER 1.650

Height in mm:	717
Height IN mm:	222
Height UIT mm:	210
Weight in kg:	ca. 50
Connection in / out in mm:	200/250
Afvoer schoon ø in mm:	2 x 110
Connection of casing pipe in mm:	50
Manhole Ø in mm:	600
Max. dakoppervlak in m²:	1.650
Height difference on the drain in mm:	12
Housing material:	PE
Material filter plate:	RVS
Connection of nozzle (optional):	1"

TECHNICAL DRAWINGS



PRINCIPESHEMA



OPTIONS

Sprinkler set for Varitank 1.650 Trident filter

The nozzle set ensures that the filter is periodically cleaned. The set consists of a filter nozzle, mounting material and tubes for the coupling between the filter box and filter shaft so that the filter box remains removable.

Automatic time-controlled filter cleaner 1 "

Time-controlled filter cleaner enables automatic filter cleaning. The nozzle will clean the filter surface at freely adjustable times.

Varitank inner shaft 60 cm

The shaft with the sealing ring supplied can be mounted on the filter shaft. The shaft can easily be shortened. Each type of Varitank lid can thus be equated to the ground level on any desired Höhe.

Removal bracket for filter box

If the pipes, and therefore the filter, are relatively deep below ground level, the removal bracket is a solution to take the box out quickly and easily.

Backflow alarm for Trident filters

The filter can be equipped with an alarm sensor that signals backflow from the overflow. This alarm sensor can be connected to an IRM rainwater system that switches to drinking water as soon as an alarm signal comes from the sensor. This prevents contamination of the pump, sanitary pipes and appliances.

Varitank lid set

For every Varitank filter a wide range of lids is available in traffic classes A, B and D. Check the special Varitank lid page to choose which lid is most suitable for your situation.

SCOPE OF DELIVERY

Product consists of: a concrete rainwater well with two plastic incrustation rings, provided with four lifting loops, filter shaft with built-in filter box with 4 filter nozzles, plastic covers, rubber rings, lubricant, 2 telescopic tubes, 2 quiet feeds and Trident filter flate with extraction bracket.

ORDERING INFORMATION

Art nr	NAME	PG	Art nr	Options	PG
403345	Varitank Flexoline 1.650 - 15.000 liter Class A	8	401213	Sprinkler set Varitank 1.650 Trident filter	2
403342	Varitank Flexoline 1.650 - 15.000 liter Class A small	8	401251	Automatic time-controlled filter cleaner 1 "	2
403346	Varitank Flexoline 1.650 - 20.000 liter Class A	8	403512	Varitank inner shaft 60 cm	2
403344	Varitank Flexoline 1.650 - 20.000 liter Class A small	8	401369	Removal bracket for filter box	2
403347	Varitank Flexoline 1.650 - 15.000 liter Class B small	8	401158	Backflow alarm for Trident filters	2
403348	Varitank Flexoline 1.650 - 20.000 liter Class B small	8	403651	TWIST floating suction 2 meters	2
403349	Varitank Flexoline 1.650 - 13.750 liter Class D	8	403652	TWIST floating suction 3 meters	2
403350	Varitank Flexoline 1.650 - 20.000 liter Class D	8		Wide range of lids available, see Varitank lids from GEP.	

FLATLINE RAINWATER TANK

Rainwater tank van kunststof, zeer flat en ondiep



PRODUCTOMSCHRIJVING

The Flatline rainwater tanks are made of PE, made from one piece. The Flatline tank is suitable for storing rainwater from roofs. The tanks are equipped with 3 prefabricated connections with a rubber collar of DN 110. The bottom of the tank is equipped with a floor (pump-house) of approx. 10 cm. This makes it possible to use the full net volume. At the top of the tank a manhole with 60 cm and a PE ring protrudes about 8 cm. A PE increment can be mounted on this with or without an integrated rainwater filter.

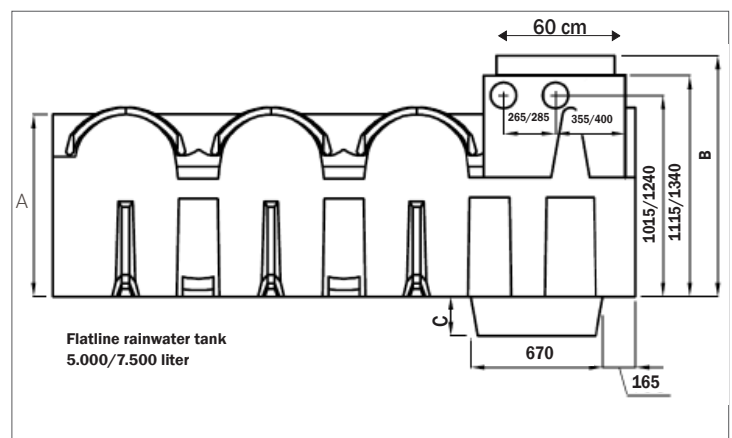
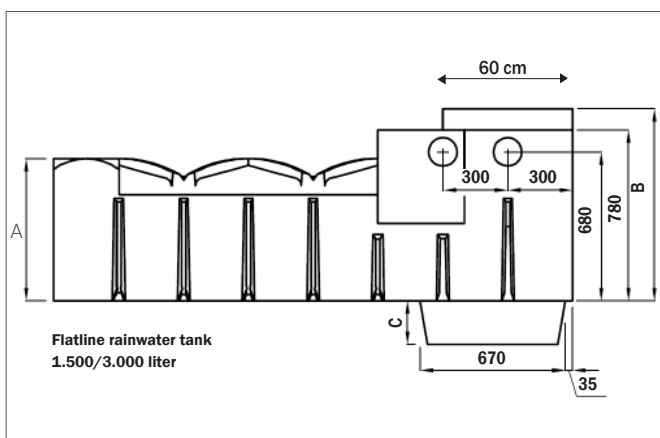
APPLICATION AREA

The tank must be buried at a certain depth, depending on the level of the HWA pipes and ground level. The tanks must remain accessible for maintenance and / or clearance. The Flatline tanks can be placed 2/3 in the groundwater provided there is enough counterweight to prevent thawing. The Flatline tank is traffic-able (class B-125 KN) provided there is a minimum ground cover on the Flatline tank of 60 cm. Ground cover above the tank is a maximum of 150 cm.

TECHNICAL DATA FLATLINE RAINWATER TANK

Type:	FL1500	FL3000	FL5000	FL7500	FL10000	FL15000
Volume in liter:	1.500	3.000	5.000	7.500	10.000	15.000
Length in cm:	240	240	296	334	592	668
Width in cm:	120	240	222	231	222	231
Height A in cm:	65	65	92	112.5	920	112.5
Height B in cm:	88	88	121.5	126	121.5	126
Height C in cm:	10	10	10	0	0	0
Weight in kg:	80	170	250	310	500	620
Depth supply cm:	25	25	25	14.5	25	14.5
Depth overflow cm:	30.5	30.5	30.5	19.5	30.5	19.5

TECHNICAL DRAWINGS



OPTIONS

Varitank filter

There are several Varitank (filter) shafts available that fit on the Manloch so that the tank can be used as a high-quality rain washing tank.

Filter basket insert model

Plug-in filter basket to put in a rain-washing tank over an hwa tube, fine-meshed 1 mm filter, diameter 40 cm.

Varitank inner shaft 60 cm

The shaft with the sealing ring supplied can be mounted on the filter shaft. The shaft can easily be shortened. Each type of Varitank lid can thus be equated to the ground level on any desired Höhe.

Clutch kit 50 mm for plastic tanks

Complete set for the coupling of two rain washer tanks to each other. Set consists of two tank penetrations and compression fittings for a 50 mm connection tube. This tube is not included.

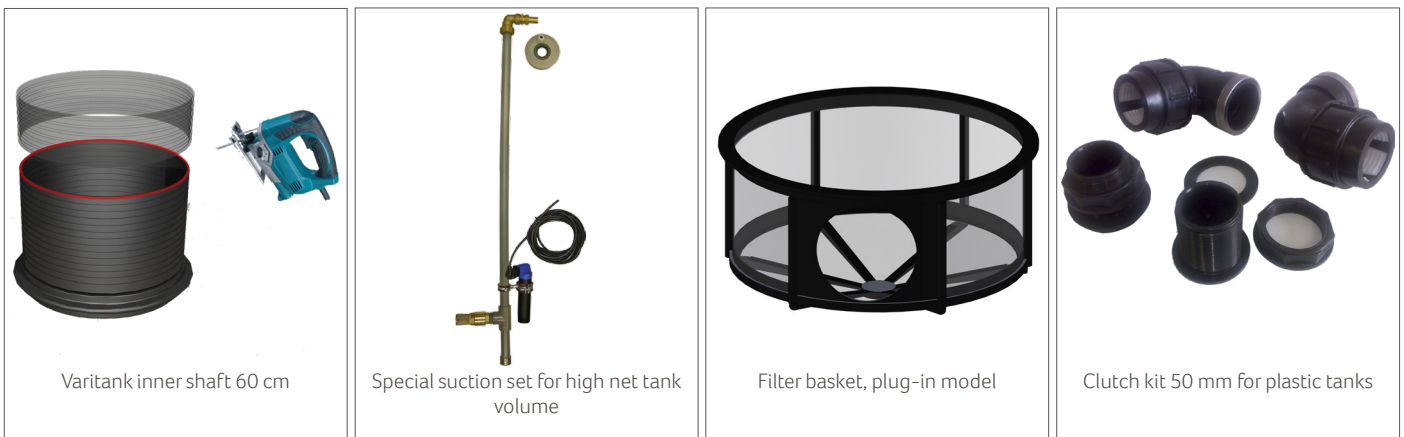
Suction set for Flatline and water bag

Suction set for a high net volume in the tank or water bag. Equipped with suction basket with foot valve, coupling to 1" wire and a float switch with low switching loss.

Varitank lid set

For every Varitank filter a wide range of lids is available in traffic classes A, B and D. Check the special Varitank lid page to choose which lid is most suitable for your situation.

OPTIONS



Varitank inner shaft 60 cm

Special suction set for high net tank volume

Filter basket, plug-in model

Clutch kit 50 mm for plastic tanks

SCOPE OF DELIVERY

Product consists of: Flatline rainwater tank, in one piece, with manhole, including three pre-assembled connections of $\varnothing 110$ mm, with rubber cuff and cap. Tanks are delivered in the color black.

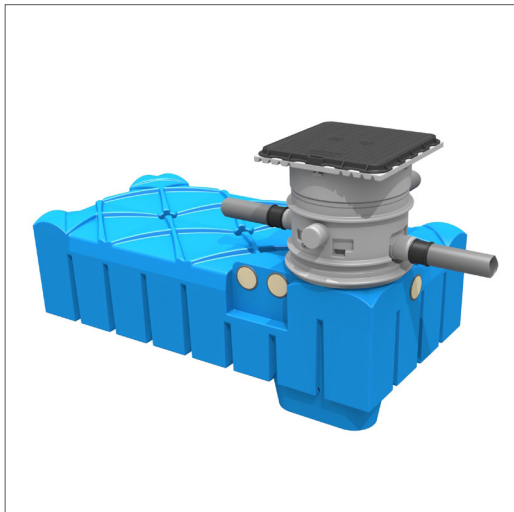
ORDERING INFORMATION

Art nr	NAME	PG	Art nr	Options	PG
403153	Flatline 1.500 liter	3	401347	Filter basket, plug-in model	2
403154	Flatline 3.000 liter	3	403512	Varitank inner shaft 60 cm	3
403155	Flatline 5.000 liter	3	403515	Clutch kit 50mm for plastic tanks	3
403156	Flatline 7.500 liter	3	403659	Flatline suction set	2
403157	Flatline 10.000 liter	3			
403158	Flatline 15.000 liter	3			

Wide range of lids available, see Varitank lids from GEP.

FLATLINE VARITANK 325

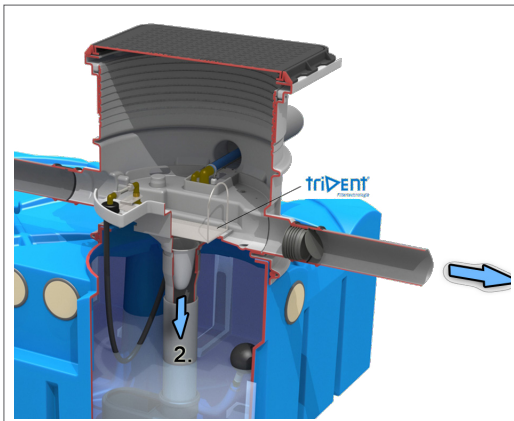
Rainwater tank made of plastic with built-in rainwater filter



triDENT
Advanced Filtertechnology

PRODUCTOMSCHRIJVING

The Flatline Varitank 325 consists of a tank with a Varitank filter. The Flatline Rain Wash Tank s are made of PE and made out of one piece. The Flatline tank is suitable for storing rainwater from roofs. The tanks are fitted with three prefabricated connections with a DN110 rubber sleeve. The bottom of the tank is equipped with a floor (pump housing) of approx. 10 cm. This makes it possible to use the full net volume. At the top of the tank a Manloch has a diameter of 60 cm and a collar that protrudes about 8 cm. The Varitank filter must be mounted on this. The Varitank filter 325 consists of a filter shaft made of PE, a filter tray and a filter flate made of stainless steel with triangular blades that are at right angles to the water flow. The distance between the slats is approx. 0.5 mm. Because the slats are tilted a few degrees, the rainwater is braked and discharged to the tank. The filter tray is also equipped with two skimmer overflows. When the tank is full, the excess rainwater will drain away. In the event of heavy rainfall, the excess rain water will drain directly through the filter flate and wash away any remaining dirt. The Varitank filter is traffic class A taxable. The filter dish is completely removable so that the rain well remains accessible for inspection and maintenance. The filter tray is lockable which offers extra (child) safety.



ANWENDINGSGBIET

The tank must be buried on a certain Tiefe, depending on the level of the HWA pipes and ground level. The tank must remain accessible for maintenance. The Flatline tanks can be placed 2/3 in the groundwater provided there is enough counterweight to prevent thawing. The Flatline tank is taxable (class B-125 KN) provided there is a minimum Bodenabdeckung of 60 cm, maximum 150 cm. The Varitank filter 325 is suitable for filtering rainwater from roofs with a maximum roof surface of up to 325 m². The filter shaft is placed on the collar of the tank and sealed with a rubber ring. The shaft can be rotated 360 degrees to simplify assembly and to shorten or raise any desired Höhe using PE attachments. The decay between the supply and discharge of rainwater is 40 mm.

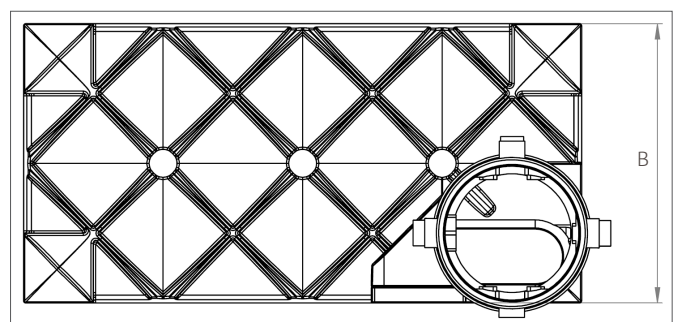
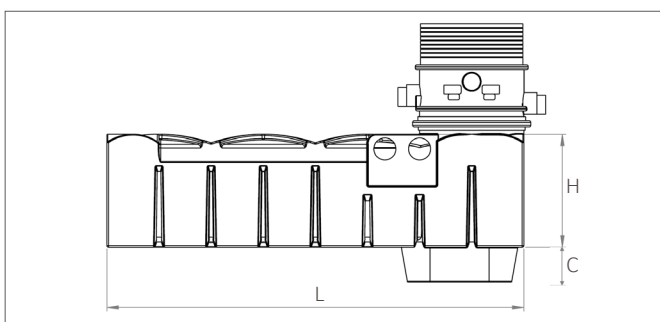
TECHNICAL DATA FLATLINE VARITANK 325

Volume in liter	Length L in cm	Width B in cm	Height C in cm	Height H in cm	Weight in kg
1.500	240	120	10	88	80
3.000	240	240	10	88	170
5.000	296	222	10	121.5	250
7.500	334	231	0	126.0	310
10.000	592	222	0	121.5	500
15.000	668	231	0	126.0	620



Detail: child-safe dish with Trident filter and filter cleaner

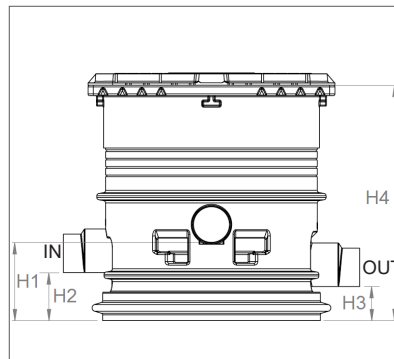
TECHNICAL DRAWINGS



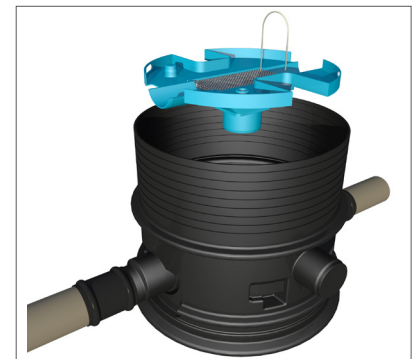
TECHNICAL DATA VARITANK FILTER 325

Height H1 in mm:	223
Height H2 in mm:	137
Height H3 in mm:	97
Height H4 in mm:	450-600
Weight in kg:	20
Connection in / out in mm:	110/125
Connection of casing pipe in mm:	2x 110
Manhole Ø in mm:	600
Max. roof area in m ² :	325
Height difference on the drain in mm:	40
Housing material:	PE
Material filter plate:	RVS
Connection of nozzle (optional):	1/2"

TECHNICAL DRAWINGS



PRINCIPESHEMA



OPTIONS

Sprinkler set for Varitank filter 325

The nozzle set ensures that the filter is periodically cleaned. The set consists of a filter nozzle, mounting bracket and hose for the coupling between the filter tray and filter shaft so that the dish remains removable.

Automatic time-controlled filter cleaner 1/2 "

Time-controlled filter cleaner enables automatic filter cleaning. The nozzle will clean the filter surface at freely adjustable times.

Fine filter bag

The fine filter can be placed under the Trident filter flate. This filter bag filters very finely to a mesh size of 150 µm. This fine filter can be used in places where high demands are placed on the water quality.

Backflow alarm for Trident filters

The filter can be equipped with an alarm sensor that signals backflow from the overflow. This alarm sensor can be connected to an IRM rainwater system that switches to drinking water as soon as an alarm signal comes from the sensor. This prevents contamination of the pump, sanitary pipes and appliances.

Varitank inner shaft 60 cm

The shaft with the sealing ring supplied can be mounted on the filter shaft. The shaft can easily be shortened. Each type of Varitank lid can be easily equated to the ground level.

Check valve for Trident 150 tank filter

Valve to place behind the filter in the drain. Plug-in model, suitable for 110 mm pipe sections. Reduces the risk of backflow from the overflow towards the tank. Material polypropylene black, with flexible rubber lining.

Clutch kit

Complete set for coupling two rainwater tanks together. Set consists of two tank penetrations and compression fittings for a 50 mm connection tube. This tube is not included.

Flatline suction set

Suction set for a high net volume in the tank. Equipped with suction basket with foot valve, coupling to 1 "wire and a float switch with low switching loss.

Varitank lid set

For every Varitank filter a wide range of lids is available in traffic classes A, B and D. Check the special Varitank lid page to choose which lid is most suitable for your situation.

SCOPE OF DELIVERY

Product consists of: Flatline Varitank, filter dish, Trident filter flate with removal bracket, quiet supply, telescopic tube, child-proof lockings and rubber ring with lubricant. Tanks are delivered in the color black.

ORDERING INFORMATION

Art nr	NAME	PG	Art nr	Options	PG
403101	Flatline Varitank 325 - 1.500 liter	3	401152	Sprinkler set for Varitank filter 325	2
403102	Flatline Varitank 325 - 3.000 liter	3	401155	Automatic time-controlled filter cleaner 1/2 "	2
403103	Flatline Varitank 325 - 5.000 liter	3	401157	Fine filter bag	2
403104	Flatline Varitank 325 - 7.500 liter	3	401158	Backflow alarm for Trident filters	2
403105	Flatline Varitank 325 - 10.000 liter	3	403512	Varitank inner shaft 60 cm	3
403106	Flatline Varitank 325 - 15.000 liter	3	401165	Check valve for Trident 150 tank filter	2
			403515	Clutch kit	2
			403659	Flatline suction set	2

Wide range of lids available, see Varitank lids from GEP.

FLATLINE VARITANK 450

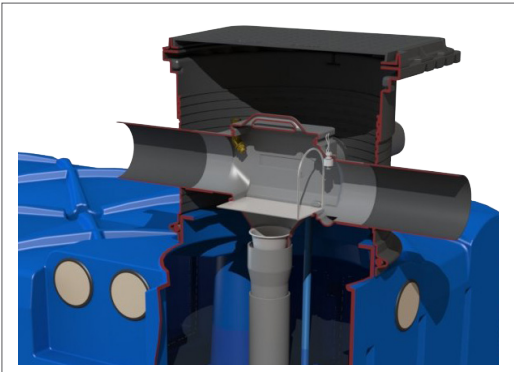
Rainwater tank of coastal fabric with built-in rainwater filter



triDENT
Advanced Filtertechnology

PRODUCT DESCRIPTION

The Flatline Varitank 450 consists of a PE tank and Varitank filter 450. The Flatline rainwater tanks are made of PE, manufactured in one piece. The Flatline tank is suitable for storing rainwater from roofs. The tanks are equipped with 3 prefabricated connections with a rubber collar of DN 110. The bottom of the tank is equipped with a floor (pump housing) of approx. 10 cm. This makes it possible to use the full net volume. At the top of the tank is a manhole with a diameter of 60 cm and a collar that protrudes about 8 cm. The Varitank filter must be mounted on this. The Varitank filter 450 consists of a filter shaft of PE, a pre-assembled Trident tank filter 450 and a filter flate of stainless steel with triangular blades that are at right angles to the water flow. The distance between the slats is approx. 0.5 mm. Because the slats are tilted a few degrees, the rainwater is braked and discharged to the tank. The filter is also equipped with 2 skimmer overflow. When the tank is full, the excess rainwater will drain away. In the event of heavy rainfall, the excess rain water will drain directly through the filter flate and wash away any remaining dirt. The Varitank filter is traffic class A taxable. The tank filter is completely removable by means of click connections so that the rain well remains accessible for inspection and maintenance.

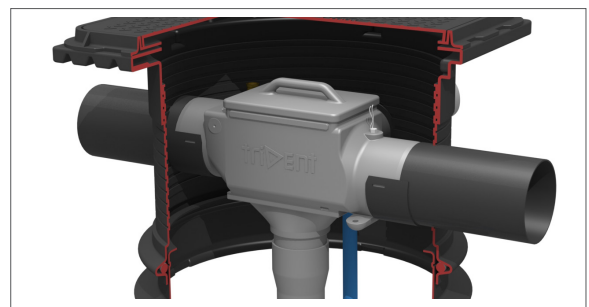


APPLICATION AREA

The tank must be buried at a certain depth, depending on the level of the HWA pipes and ground level. The tank must remain accessible for maintenance. The Flatline tanks can be placed 2/3 in the groundwater provided there is enough counterweight to prevent thawing. The Flatline tank is traffic-able (class B-125 KN) provided there is a minimum ground cover of 60 cm, maximum 150 cm. The Varitank filter 450 is suitable for filtering rainwater from roofs with a maximum roof surface of up to 450 m². The filter shaft is placed on the collar of the tank and sealed with a rubber ring. The shaft can be rotated 360 degrees to simplify installation and to be shortened or raised at any desired Width by means of PE attachments. The decay between the supply and discharge of het regenwater is 39 mm.

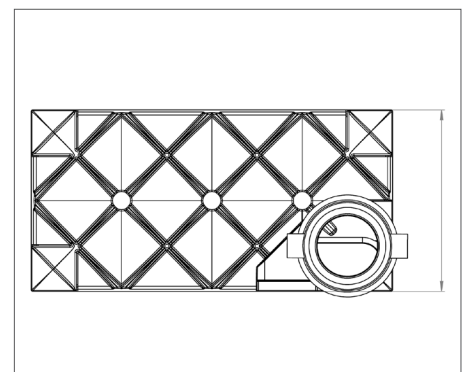
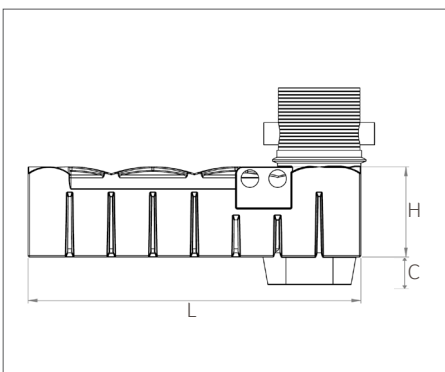
TECHNICAL DATA FLATLINE VARITANK 450

Volume in liter	Length L in cm	Width B in cm	Height C in cm	Height H in cm	Weight in kg
1.500	240	120	10	88	80
3.000	240	240	10	88	170
5.000	296	222	10	121.5	250
7.500	334	231	0	126	310
10.000	592	222	0	121.5	500
15.000	668	231	0	126	620



Detail: pre-assembled Trident 450 tank filter

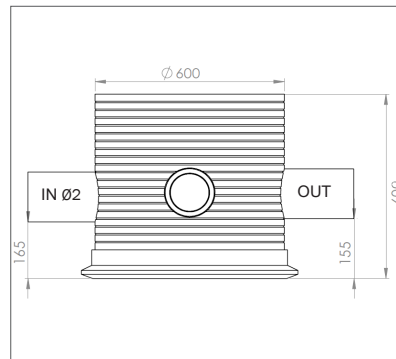
TECHNICAL DRAWINGS



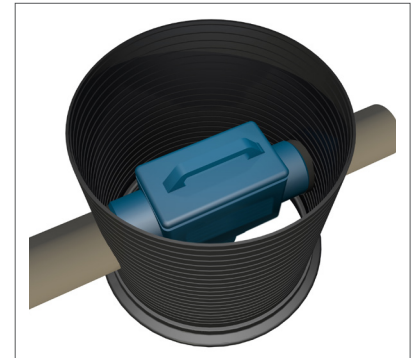
TECHNICAL DATA VARITANK FILTER 450

Height in mm:	600
Height IN mm:	165
Height UIT mm:	155
Weight in kg:	20
Connection in / out in mm:	160
Connection of casing pipe in mm:	110
Manhole Ø in mm:	600
Max. roof area in m2:	450
Height difference on the drain in mm:	39
Housing material:	PE
Material filter plate:	RVS
Connection of nozzle (optional):	1/2"

TECHNICAL DRAWINGS



PRINCIPESHEMA



OPTIONS

Nozzle set for 450 tank filter

The nozzle set ensures that the filter is periodically cleaned. The set consists of a filter sprayer.

Automatic time-controlled filter cleaner 1/2 "

Time-controlled filter cleaner enables automatic filter cleaning. The nozzle will clean the filter surface at freely adjustable times.

Fine filter bag

The fine filter can be placed under the Trident filter flate. This filter bag filters very finely to a mesh size of 150 µm. This fine filter can be used in places where high demands are placed on the water quality.

Backflow alarm for Trident filters

The filter can be equipped with an alarm sensor that signals backflow from the overflow. This alarm sensor can be connected to an IRM rainwater system that switches to drinking water as soon as an alarm signal comes from the sensor. This will contaminate pump, sanitary pipes and appliances.

Varitank inner shaft 60 cm

The shaft with the sealing ring supplied can be mounted on the filter shaft. The shaft can easily be shortened. Each type of Varitank lid can thus be equated to the ground level on any desired Höhe.

Clutch kit

Complete set for the coupling of two rain washer tanks to each other. Set consists of two tank penetrations and compression fittings for a 50 mm connection tube. This tube is not included.

Flatline suction set

Suction set for a high net volume in the tank. Equipped with suction basket with foot valve, coupling to 1 "wire and a float switch with low switching loss.

Varitank lid set

For every Varitank filter a wide range of lids is available in traffic classes A, B and D. Check the special Varitank lid page to choose which lid is most suitable for your situation.

SCOPE OF DELIVERY

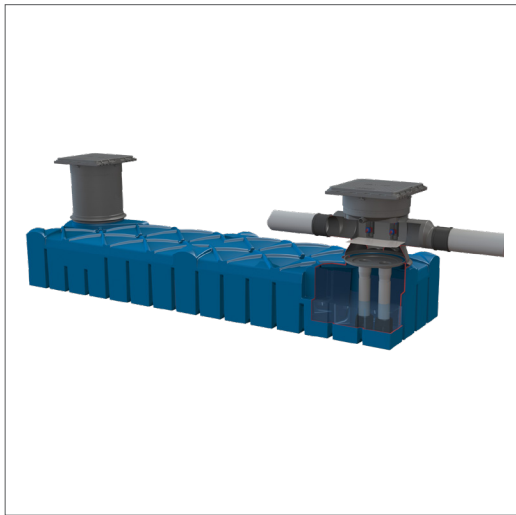
Product consists of: Flatline Varitank, filter housing, filter cover and Trident filter flate with removal bracket, quiet supply, telescopic tube, rubber ring with lubricant and shaft. Tanks are delivered in the color black.

ORDERING INFORMATION

Art nr	NAME	PG	Art nr	Options	PG
403107	Flatline Varitank 450 - 1.500 liter	3	401151	Nozzle set for 450 tank filter	2
403108	Flatline Varitank 450 - 3.000 liter	3	401155	Automatic time-controlled filter cleaner 1/2 "	2
403109	Flatline Varitank 450 - 5.000 liter	3	401157	Fine filter bag	2
403110	Flatline Varitank 450 - 7.500 liter	3	401158	Backflow alarm for Trident filters	2
403111	Flatline Varitank 450 - 10.000 liter	3	403512	Varitank inner shaft 60 cm	2
403112	Flatline Varitank 450 - 15.000 liter	3	403515	Clutch set 50 mm	2
Ruim assortiment aan deksels leverbaar, zie de Varitank deksels van GEP.			403659	Flatline suction set	2

FLATLINE VARITANK 1.650

Rainwater tank made of plastic with built-in rainwater filter



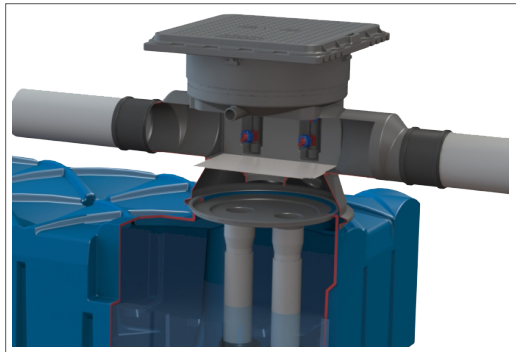
triDENT
Advanced Filtertechnology

PRODUCT DESCRIPTION

The Flatline rainwater tanks are made of PE, made from one piece. The Flatline tank is suitable for storing rainwater from roofs. The tanks are equipped with 3 prefabricated connections with a rubber collar of DN 110. The bottom of the tank is equipped with a floor (pump housing) of approx. 10 cm. This makes it possible to use the full net volume. At the top of the tank a manhole with 60 cm and a PE ring protrudes about 8 cm. The Varitank filter 1650 must be mounted on this. The Varitank filter 1650 consists of a filter housing made of polyethylene (PE), a filter box and a filter flate of stainless steel with triangular blades that are at right angles to the water flow. The distance between the slats is approx. 0.5 mm. The distance between the slats is approx. 0.5 mm. Because the slats are tilted a few degrees, the rainwater is braked and discharged to the tank. The entrained dirt remains behind on the filter flate. In case of heavy rainfall, the excess rain water will drain directly via the filter flate and the remaining dirt will wash away on the filter flate. The Varitank filter is traffic class A taxable. The filter box completely closes the tank and offers extra safety against undesired access of the tank.

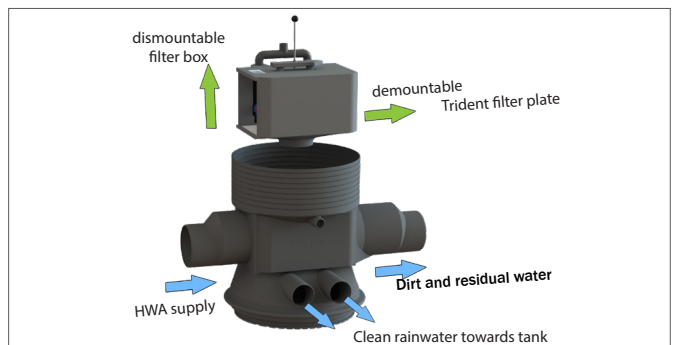
APPLICATION AREA

The tank must be buried at a certain depth, depending on the level of the HWA pipes and ground level. The tanks must remain accessible for maintenance and / or clearance. The Flatline tanks can be placed 2/3 in the groundwater provided there is enough counterweight to prevent thawing. The Flatline tank is traffic-able (class B-125 KN) provided there is a minimum ground cover on the Flatline tank of 60 cm. Ground cover above the tanks is a maximum of 150 cm. The Varitank filter is suitable for filtering rainwater from roofs of houses or buildings with a maximum roof surface of up to 1650 m². The filter shaft is placed on the PE ring of the tank and sealed with a rubber ring. The shaft can be rotated 360 degrees to facilitate the connection of the piping and can be shortened or raised at any desired Width by means of PE attachments. The decay between the supply and discharge of rainwater is 12 mm.

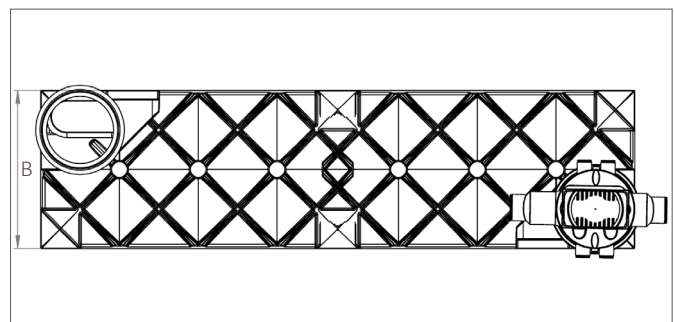
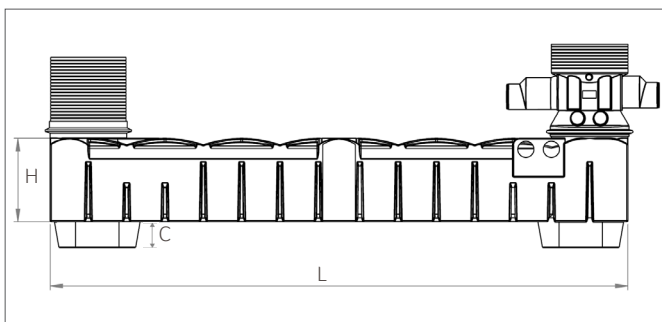


TECHNICAL DATA VARITANK FLATLINE 1.650

Volume in liter	Length L in cm	Width B in cm	Height H in cm	Height C in cm	Connection pfilter sprayer
10.000	592	222	92	10	1"
15.000	668	231	112.5	0	1"



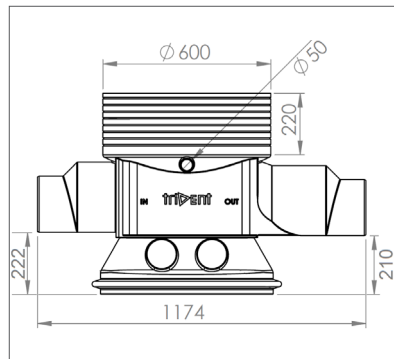
TECHNICAL DRAWINGS



TECHNICAL DATA VARITANK FILTER 1.650

Height in mm:	717
Height IN mm:	222
Height UIT mm:	210
Weight in kg:	ca. 50
Connection in / out in mm:	200/250
Afvoer schoon ø in mm:	2 x 110
Connection of casing pipe in mm:	50
Manhole Ø in mm:	600
Max. dakoppervlak in m ² :	1.650
Height difference on the drain in mm:	12
Housing material:	PE
Material filter plate:	RVS
Connection of nozzle (optional):	1"

TECHNICAL DRAWINGS



PRINCIPESHEMA



OPTIONS

Sprinkler set for Varitank 1.650 Trident filter

The nozzle set ensures that the filter is periodically cleaned. The set consists of a filter nozzle, mounting material and tubes for the coupling between the filter box and filter shaft so that the filter box remains removable.

Automatic time-controlled filter cleaner 1 "

Time-controlled filter cleaner enables automatic filter cleaning. The nozzle will clean the filter surface at freely adjustable times.

Backflow alarm for Trident filters

The filter can be equipped with an alarm sensor that signals backflow from the overflow. This alarm sensor can be connected to an IRM rainwater system that switches to drinking water as soon as an alarm signal comes from the sensor. This prevents contamination of the pump, sanitary pipes and appliances.

Varitank inner shaft 60 cm

The shaft with the sealing ring supplied can be mounted on the filter shaft. The shaft can easily be shortened. Each type of Varitank lid can thus be equated to the ground level on any desired Höhe.

Clutch kit

Complete set for the coupling of two rain washer tanks to each other. Set consists of two tank penetrations and compression fittings for a 50 mm connection tube. This tube is not included.

Flatline suction set

Suction set for a high net volume in the tank. Equipped with suction basket with foot valve, coupling to 1 "wire and a float switch with low switching loss.

Varitank lid set

For every Varitank filter a wide range of lids is available in traffic classes A, B and D. Check the special Varitank lid page to choose which lid is most suitable for your situation.

Removal bracket for filter box

If the pipes, and therefore the filter, are relatively deep below ground level, the removal bracket is a solution to take the box out quickly and easily.

SCOPE OF DELIVERY

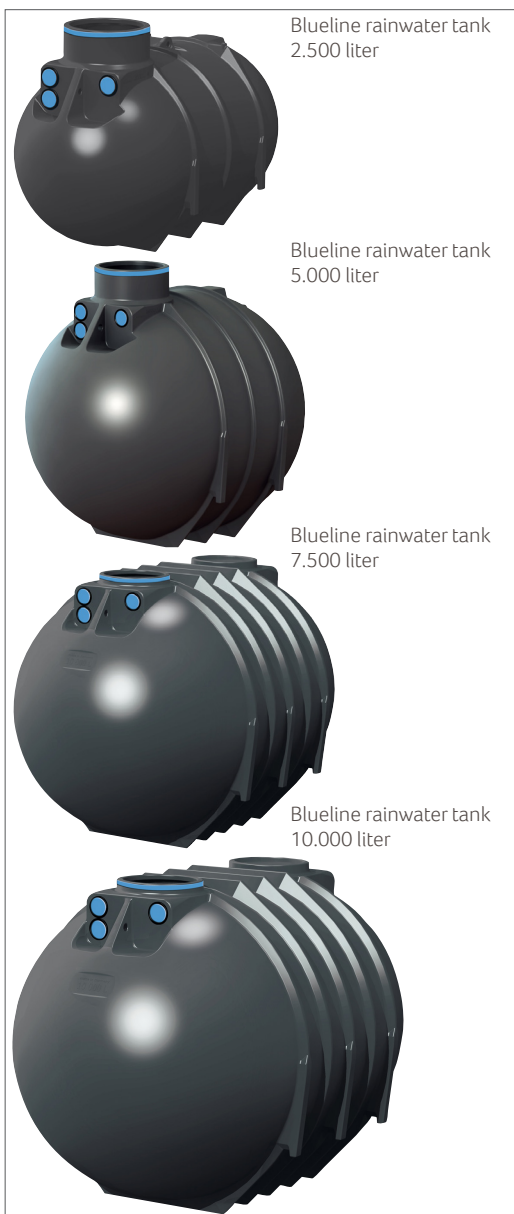
Product consists of: Flatline Varitank, filter box, Trident filter flate, 2 quiet feed, manhole shaft, filter shaft, 2 rubber rings with lubricant, 2 telescopic tubes, tube dish, 4 filter nozzles. Tanks are delivered in the color black.

ORDERING INFORMATION

Art nr	NAME	PG	Art nr	Options	PG
403113	Flatline Varitank 1.650 - 10.000 liter	3	401213	Sprinkler set Varitank 1.650 Trident filter	2
403114	Flatline Varitank 1.650 - 15.000 liter	3	401251	Automatic time-controlled filter cleaner 1 "	2
Wide range of lids available, see Varitank lids from GEP.					
			401158	Backflow alarm for Trident filters	2
			403512	Varitank inner shaft 60 cm	2
			403515	Clutch set 50 mm	2
			403659	Flatline suction set	2
			401369	Removal bracket for filter box	2

BLUELINE RAINWATER TANK

Rainwater tank made of plastic



PRODUCT DESCRIPTION

The BlueLine rainwater tanks are made of PE, made from one piece. The BlueLine tank is suitable for storing rainwater from roofs.

The tanks are fitted with 3 prefabricated connections with a DN 110 rubber sleeve.

At the top of the tank a manhole with 60 cm and a PE ring protrudes about 8 cm. A PE increment can be mounted on this with or without an integrated rainwater filter.

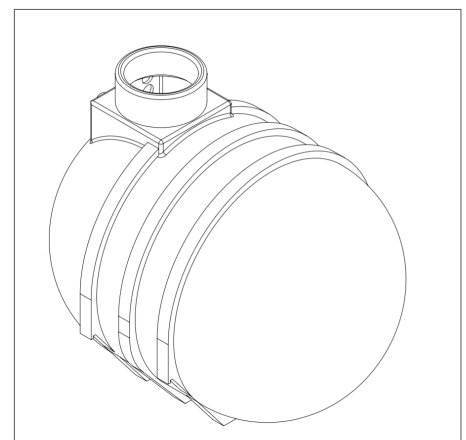
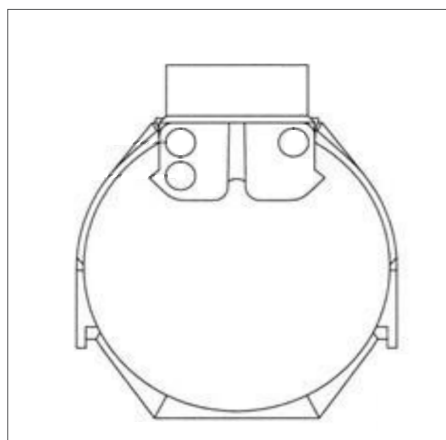
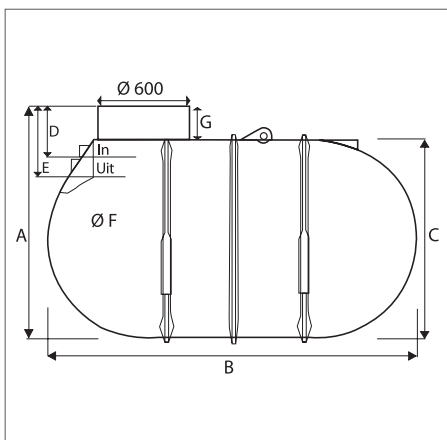
APPLICATION AREA

The tank must be buried at a certain depth, depending on the level of the HWA pipes and ground level. The tanks must remain accessible for maintenance and / or clearance. The BlueLine tanks can be placed in the groundwater for 1/3 part, provided there is enough counterweight to prevent thawing. The BlueLine tank is traffic-loadable (class B-125 KN) provided there is a minimum ground cover on the tank of 60 cm. Ground cover above the tanks is a maximum of 150 cm.

TECHNICAL DATA BLUELINE RAINWATER TANK

Type:	BL1.500	BL2.500	5.000	BL7.500	BL10.000
Volume in liter:	1.500	2.500	5.000	7.500	10.000
Weight in kg:	55	90	160	220	340
Height A in cm:	120	159	225	233	233
Length B in cm:	213	240	240	276.5	340
Height C in cm:	105	136	201	231	231
Height D in cm:	255	41	42.5	23.5	23.5
Height E in cm:	415	56	57.5	38.5	38.5
Width F in cm:	Ø 110	Ø 136	Ø 201	Ø 231	Ø 231
Height G in cm:	6	26	27	8	8

TECHNICAL DRAWINGS



OPTIONS

Varitank filter

Several Varitank (filter) shafts are available that fit the manhole so that the tank can be used as a high-quality rainwater tank.

Filter basket insert model

Plug-in filter basket to put in a rainwater tank over a hwa tube, fine-meshed 1 mm filter, diameter 40 cm.

Varitank inner shaft 60 cm

The shaft with the sealing ring supplied can be mounted on the filter shaft. The shaft can easily be shortened. Each type of Varitank lid can thus be equated to the ground level at any desired Width.

Varitank lid set

For every Varitank filter a wide range of lids is available in traffic classes A, B and D. Check the special Varitank lid page to choose which lid is most suitable for your situation.

Clutch kit 50 mm for plastic tanks

Complete set for coupling two rainwater tanks together. Set consists of two tank penetrations and compression fittings for a 50 mm connection tube. This tube is not included.

TECHNISCHE SCHEMA'S



SCOPE OF DELIVERY

Product consists of: Blueline rainwater tank, in one piece, with manhole, including three pre-assembled connections of $\varnothing 110$ mm, with rubber cuff and cap. Tanks are delivered in the color black.

ORDERING INFORMATION

Art nr	NAME	PG	Art nr	Options	PG
403251	Blueline 1.500 liter	3	401347	Filter basket, plug-in model	3
403252	Blueline 2.500 liter	3	403512	Varitank inner shaft 60 cm	3
403253	Blueline 5.000 liter	3	403515	Clutch kit 50mm for plastic tanks	3
403254	Blueline 7.500 liter	3			
403255	Blueline 10.000 liter	3			

Wide range of lids available, see Varitank lids from GEP.

BLUELINE VARITANK 325

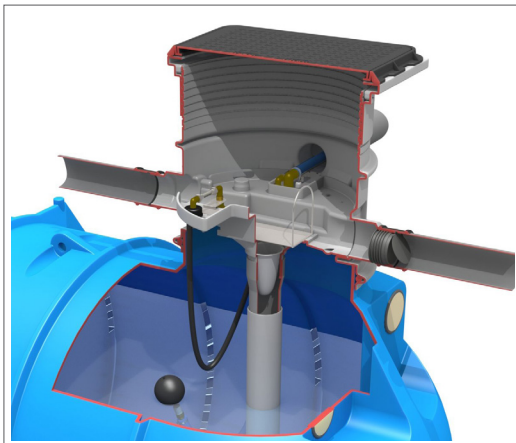
Rainwater tank made of plastic with built-in rainwater filter



triDent
Advanced Filtrertechnology

PRODUCT DESCRIPTION

The Blueline Varitank 325 consists of a PE tank with Varitank filter 325. The Blueline rainwater tanks are made of PE, manufactured in one piece. The Blueline tank is suitable for storing rainwater from roofs. The tanks are equipped with 3 prefabricated connections with a rubber sleeve of DN 110. At the top of the tank a manhole is provided with 60 cm and a PE ring protrudes about 8 cm. The Varitank filter must be mounted on this. The Varitank filter 325 consists of a filter shaft made of polyethylene (PE), a filter tray and a filter flate made of stainless steel with triangular blades that are at right angles to the water flow. The distance between the slats is approx. 0.5 mm. The distance between the slats is approx. 0.5 mm. Because the slats are tilted a few degrees, the rainwater is braked and discharged to the tank. The entrained dirt remains behind on the filter flate. The filter tray is also equipped with 2 skimmer overflow. When the tank is full, the excess rainwater will drain away. In case of heavy rainfall, the excess rain water will drain directly via the filter flate and the remaining dirt will wash away on the filter flate. The Varitank filter is traffic class A taxable. The filter dish is completely removable so that the rain well remains accessible for inspection and maintenance. The filter tray is lockable which offers extra (child) safety.



APPLICATION AREA

The tank must be buried at a certain depth, depending on the level of the HWA pipes and ground level. The tanks must remain accessible for maintenance and / or clearance. The Blueline tanks can be placed in the groundwater for 1/3 part, provided there is enough counterweight to prevent thawing. The Blueline tank is traffic-able (class B-125 KN) provided there is a minimum ground cover on the Blueline tank of 60 cm. Ground cover above the tank is a maximum of 150 cm. The Varitank filter 325 is suitable for filtering rainwater from roofs with a maximum roof surface of up to 325 m². The filter shaft is placed on the PE ring of the tank and sealed with a rubber ring. The shaft can be rotated 360 degrees to facilitate the connection of the piping and can be shortened or raised at any desired Width by means of PE attachments. The decay between the supply and drainage rainwater is 40 mm.

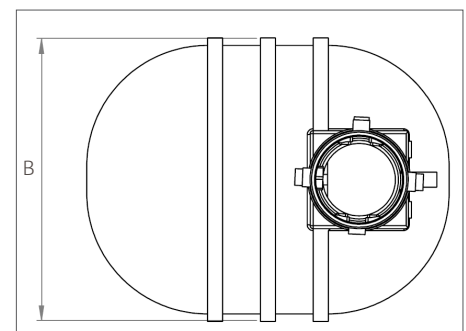
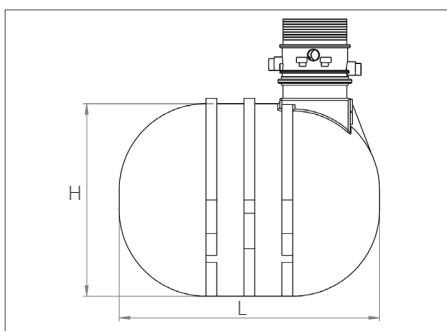
TECHNICAL DATA BLUELINE VARITANK 325

Volume in liter	Weight in kg	Length L in cm	Height H in cm	Width B in cm
2.500	90	240	159	Ø 136
5.000	150	240	225	Ø 201
7.500	210	277	233	Ø 231
10.000	340	340	233	Ø 231



Detail: child-safe dish with Trident filter and filter cleaner

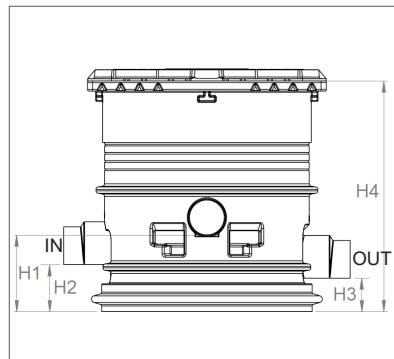
TECHNICAL DRAWINGS



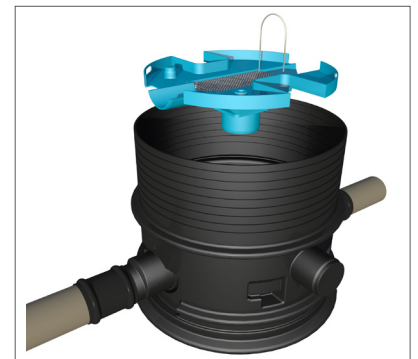
TECHNICAL DATA VARITANK FILTER 325

Height H1 in mm:	223
Height H2 in mm:	137
Height H3 in mm:	97
Height H4 in mm:	450-600
Weight in kg:	20
Connection in / out in mm:	110/125
Connection of casing pipe in mm:	2x 110
Manhole Ø in mm:	600
Max. roof area in m2:	325
Height difference on the drain in mm:	40
Housing material:	PE
Material filter plate:	RVS
Connection of nozzle (optional):	1/2"

TECHNICAL DRAWINGS



PRINCIPESHEMA



OPTIONS

Sprinkler set for Varitank filter 325

The nozzle set ensures that the filter is periodically cleaned. The set consists of a filter nozzle, mounting bracket and hose for the coupling between the filter tray and filter shaft so that the dish remains removable.

Automatic time-controlled filter cleaner 1/2 "

Time-controlled filter cleaner enables automatic filter cleaning. The nozzle will clean the filter surface at freely adjustable times.

Fine filter bag

The fine filter can be placed under the Trident filter flate. This filter bag filters very finely to a mesh size of 150 µm. This fine filter can be used in places where high demands are placed on the water quality.

Backflow alarm for Trident filters

The filter can be equipped with an alarm sensor that signals backflow from the overflow. This alarm sensor can be connected to an IRM rainwater system that switches to drinking water as soon as an alarm signal comes from the sensor. This prevents contamination of the pump, sanitary pipes and appliances.

Varitank inner shaft 60 cm

The shaft with the sealing ring supplied can be mounted on the filter shaft. The shaft can easily be shortened. Each type of Varitank lid can be easily equated to the ground level.

Check valve for Trident 150 tank filter

Valve to place behind the filter in the drain. Plug-in model, suitable for 110 mm pipe sections. Reduces the risk of backflow from the overflow towards the tank. Material polypropylene black, with flexible rubber lining.

Varitank lid set

For every Varitank filter a wide range of lids is available in traffic classes A, B and D. Check the special Varitank lid page to choose which lid is most suitable for your situation.

SCOPE OF DELIVERY

Product consists of: Blueline Varitank, filter dish, Trident filter flate with extraction bracket, quiet supply, telescopic tube, child-proof lockings and rubber ring with lubricant. Tanks are delivered in the color black.

ORDERING INFORMATION

Art nr	NAME	PG	Art nr	Options	PG
403202	Blueline Varitank 325 - 2.500 liter	3	401152	Sprinkler set for Varitank filter 325	2
403203	Blueline Varitank 325 - 5.000 liter	3	401155	Automatic time-controlled filter cleaner 1/2 "	2
403204	Blueline Varitank 325 - 7.500 liter	3	401157	Fine filter bag	2
403205	Blueline Varitank 325 - 10.000 liter	3	401158	Backflow alarm for Trident filters	2
Wide assortment of lids deliverable, see Varitank lids from GEP.			403512	Varitank inner shaft 60 cm	3
			401165	Check valve for Trident 150 tank filter	2

BLUELINE VARITANK 450

Rainwater tank made of plastic with built-in rainwater filter

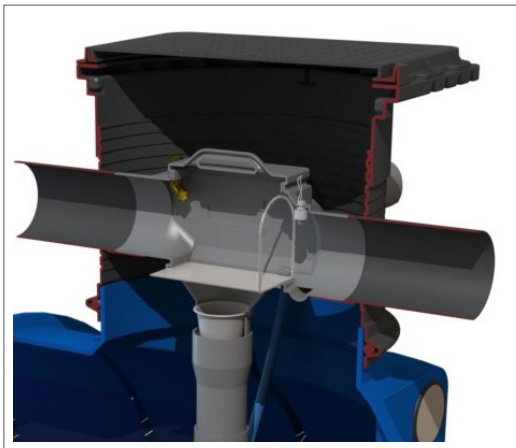


rethinking water



PRODUCT DESCRIPTION

The BlueLine Varitank 450 consists of a PE tank and Varitank filter 450. The BlueLine rainwater tanks are made of PE, made from one piece. The BlueLine tank is suitable for storing rainwater from roofs. The tanks are equipped with 3 prefabricated connections with a rubber sleeve of DN 110. At the top of the tank a manhole is provided with 60 cm and a PE ring protrudes about 8 cm. The Varitank filter must be mounted on this. The Varitank filter 450 consists of a filter shaft made of polyethylene (PE), a pre-assembled Trident tank filter 450 and a filter flate of stainless steel with triangular blades that are at right angles to the water flow. The distance between the slats is approx. 0.5 mm. The distance between the slats is approx. 0.5 mm. Because the slats are tilted a few degrees, the rainwater is braked and discharged to the tank. The entrained dirt remains behind on the filter flate. The filter is also equipped with 2 skimmer overflow. When the tank is full, the excess rainwater will drain away. In case of heavy rainfall, the excess rain water will drain directly via the filter flate and the remaining dirt will wash away on the filter flate. The Varitank filter is traffic class A taxable. The tank filter is completely removable by means of click connections so that the rain well remains accessible for inspection and maintenance.

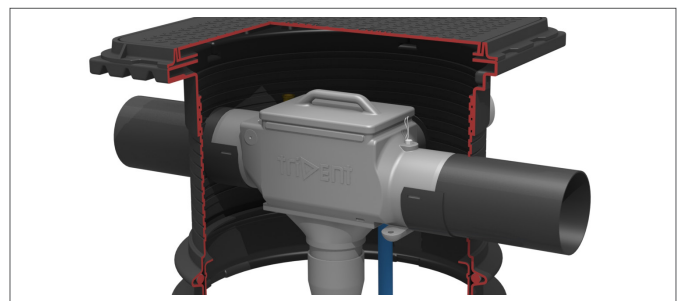


APPLICATION AREA

The tank must be buried at a certain depth, depending on the level of the HWA pipes and ground level. The tanks must remain accessible for maintenance and / or clearance. The BlueLine tanks can be placed in the groundwater for 1/3 part, provided there is enough counterweight to prevent thawing. The BlueLine tank is traffic-able (class B-125 KN) provided there is a minimum ground cover on the BlueLine tank of 60 cm. Ground cover above the tanks is a maximum of 150 cm. The Varitank filter 450 is suitable for filtering rainwater from roofs of houses or buildings with a maximum roof surface of up to 450 m². The filter shaft is placed on the PE ring of the tank and sealed with a rubber ring. The shaft can be rotated 360 degrees to facilitate the connection of the piping and can be shortened or raised at any desired Width by means of PE attachments. The decay between the supply and discharge of rainwater is 39 mm.

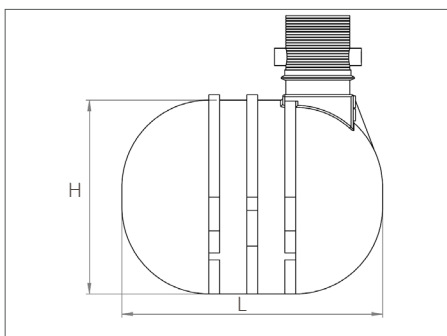
TECHNICAL DATA BLUELINE VARITANK 450

Volume in liter	Weight in kg	Length L in cm	Height H in cm	Width B in cm
2.500	90	240	159	Ø 136
5.000	150	240	225	Ø 201
7.500	210	277	233	Ø 231
10.000	340	340	233	Ø 231

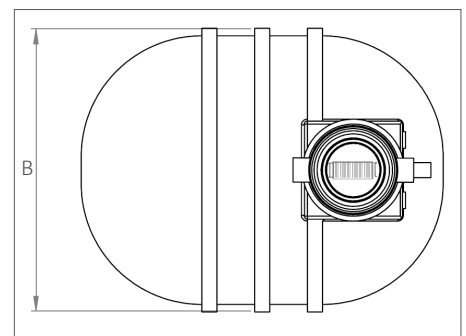


Detail: pre-assembled Trident 450 tank filter

TECHNICAL DRAWINGS



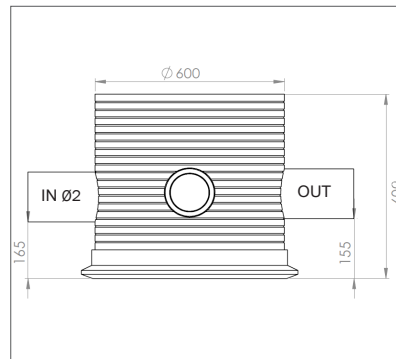
Detail: filter nozzle



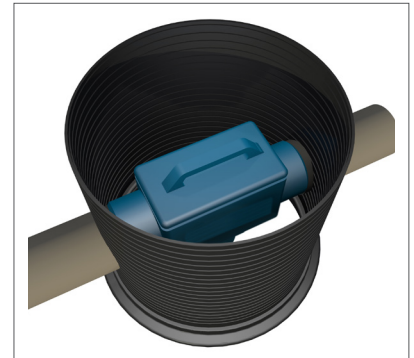
TECHNICAL DATA VARITANK FILTER 450

Height in mm:	600
Height IN mm:	165
Height UIT mm:	155
Weight in kg:	20
Connection in / out in mm:	160
Connection of casing pipe in mm:	110
Manhole Ø in mm:	600
Max. roof area in m ² :	450
Height difference on the drain in mm:	39
Housing material:	PE
Material filter plate:	RVS
Connection of nozzle (optional):	1/2"

TECHNICAL DRAWINGS



PRINCIPESHEMA



OPTIONS

Nozzle set for 450 tank filter

The nozzle set ensures that the filter is periodically cleaned. The set consists of a filter sprayer.

Automatic time-controlled filter cleaner 1/2 "

Time-controlled filter cleaner enables automatic filter cleaning. The nozzle will clean the filter surface at freely adjustable times.

Fine filter bag

The fine filter can be placed under the Trident filter flate. This filter bag filters very finely to a mesh size of 150 µm. This fine filter can be used in places where high demands are placed on the water quality.

Backflow alarm for Trident filters

The filter can be equipped with an alarm sensor that signals backflow from the overflow. This alarm sensor can be connected to an IRM rainwater system that switches to drinking water as soon as an alarm signal comes from the sensor. This will contaminate pump, sanitary pipes and appliances.

Varitank inner shaft 60 cm

The shaft with the sealing ring supplied can be mounted on the filter shaft. The shaft can easily be shortened. Each type of Varitank lid can thus be equated to the ground level at any desired Width.

Varitank lid set

For every Varitank filter a wide range of lids is available in traffic classes A, B and D. Check the special Varitank lid page to choose which lid is most suitable for your situation.

SCOPE OF DELIVERY

Product consists of: Blueline Varitank, filter housing, filter cover and Trident filter flate with removal bracket, quiet supply, telescopic tube, rubber ring with lubricant and shaft. Tanks are delivered in the color black.

ORDERING INFORMATION

Art nr	NAME	PG	Art nr	Options	PG
403207	Blueline Varitank 450 - 2.500 liter	3	401151	Nozzle set for 450 tank filter	2
403208	Blueline Varitank 450 - 5.000 liter	3	401155	Automatic time-controlled filter cleaner 1/2 "	2
403209	Blueline Varitank 450 - 7.500 liter	3	401157	Fine filter bag	2
403210	Blueline Varitank 450 - 10.000 liter	3	401158	Backflow alarm for Trident filters	2
Wide range of lids available, see Varitank lids from GEP.			403512	Varitank inner shaft 60 cm	2

BLUELINE VARITANK 1.650

Rainwater tank made of plastic with built-in rainwater filter



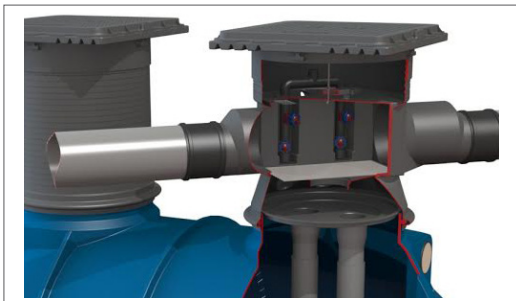
trident
Advanced Filtrertechnology

PRODUCT DESCRIPTION

The Blueline Varitank 1650 consists of a PE tank and Varitank filter 1650. The Blueline rainwater tanks are made of PE, made from one piece. The Blueline tank is suitable for storing rainwater from roofs. The tanks are equipped with 3 prefabricated connections with a rubber sleeve of DN 110. At the top of the tank a manhole is provided with 60 cm and a PE ring protrudes about 8 cm. The Varitank filter 1650 filter must be mounted on this. The Varitank filter 1650 consists of a filter housing made of polyethylene (PE), a filter box and a filter flate made of stainless steel with triangular blades that are at right angles to the water flow. The distance between the slats is approx. 0.5 mm. The distance between the slats is approx. 0.5 mm. Because the slats are tilted a few degrees, the rainwater is braked and discharged to the tank. The entrained dirt remains behind on the filter flate. In case of heavy rainfall, the excess rain water will drain directly via the filter flate and the remaining dirt will wash away on the filter flate. The Varitank filter is traffic class A taxable. The filter box completely closes the tank and offers extra safety against undesired access of the tank.

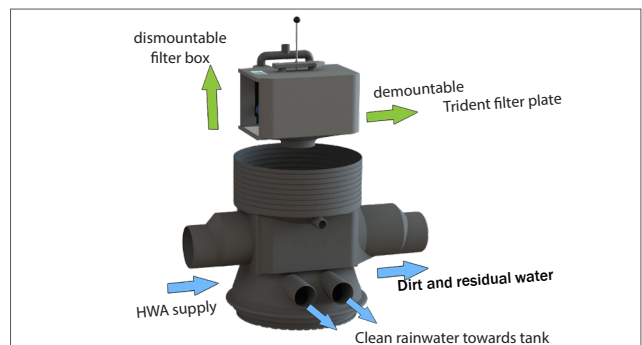
APPLICATION AREA

The tank must be buried at a certain depth, depending on the level of the HWA pipes and ground level. The tanks must remain accessible for maintenance and / or clearance. The Blueline tanks can be placed in the groundwater for 1/3 part, provided there is enough counterweight to prevent thawing. The Blueline tank is traffic-able (class B-125 KN) provided there is a minimum ground cover on the Blueline tank of 60 cm. Ground cover above the tanks is a maximum of 150 cm. The Varitank filter is suitable for filtering rainwater from roofs of buildings with a maximum roof surface of up to 1650 m². The filter shaft is placed on the PE ring of the tank and sealed with a rubber ring. The shaft can be rotated 360 degrees to facilitate the connection of the piping and can be shortened or raised at any desired Width by means of PE attachments. The decay between the supply and discharge of rainwater is 12 mm.

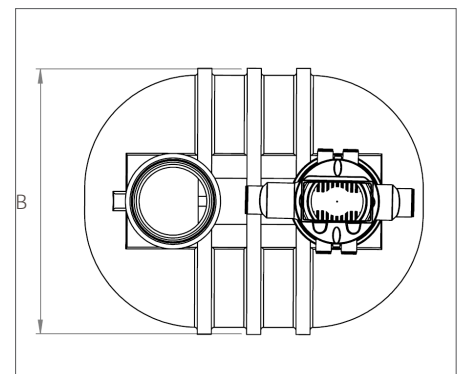
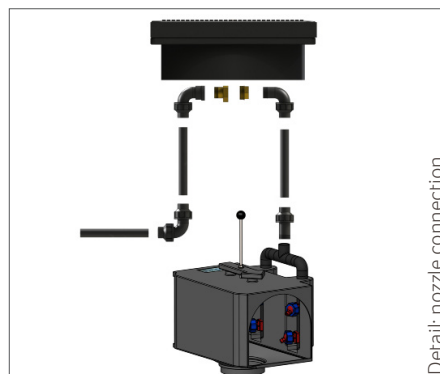
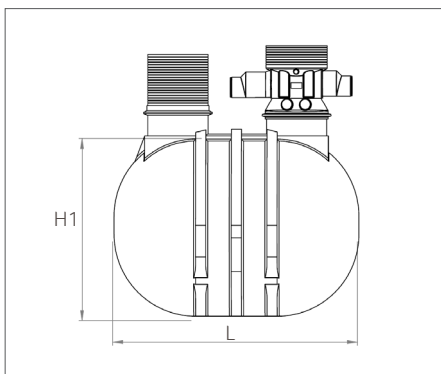


TECHNICAL DATA BLUELINE VARITANK 1.650

Volume in liter	Weight in kg	Length L in cm	Height H1 in cm	Width B in cm	Connection pfilter sprayer
7.500	210	277	225	Ø 231	1"
10.000	340	340	225	Ø 231	1"



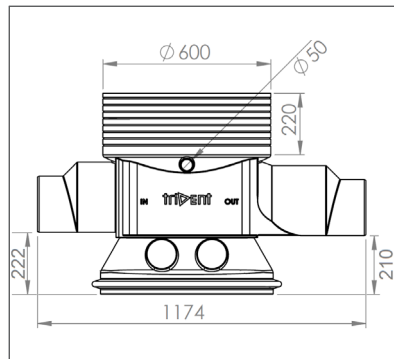
TECHNICAL DRAWINGS



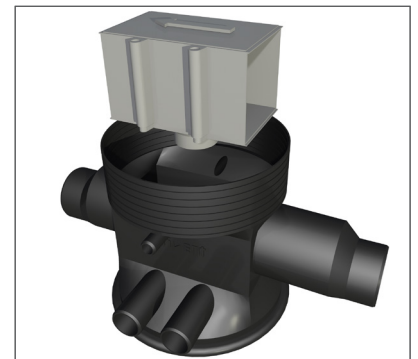
TECHNICAL DATA VARITANK FILTER 1.650

Height in mm:	717
Height IN mm:	222
Height UIT mm:	210
Weight in kg:	ca. 50
Connection in / out in mm:	200/250
Afvoer schoon ø in mm:	2 x 110
Connection of casing pipe in mm:	50
Manhole Ø in mm:	600
Max. dakoppervlak in m ² :	1.650
Height difference on the drain in mm:	12
Housing material:	PE
Material filter plate:	RVS
Connection of nozzle (optional):	1"

TECHNICAL DRAWINGS



PRINCIPESHEMA



OPTIONS

Sprinkler set for Varitank 1.650 Trident filter

The nozzle set ensures that the filter is periodically cleaned. The set consists of a filter nozzle, mounting material and tubes for the coupling between the filter box and filter shaft so that the filter box remains removable.

Automatic time-controlled filter cleaner 1 "

Time-controlled filter cleaner enables automatic filter cleaning. The nozzle will clean the filter surface at freely adjustable times.

Backflow alarm for Trident filters

The filter can be equipped with an alarm sensor that signals backflow from the overflow. This alarm sensor can be connected to an IRM rainwater system that switches to drinking water as soon as an alarm signal comes from the sensor. This prevents contamination of the pump, sanitary pipes and appliances.

Removal bracket for filter box

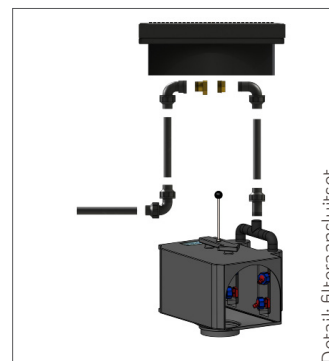
If the pipes, and therefore the filter, are relatively deep below ground level, the removal bracket is a solution to take the box out quickly and easily.

Varitank inner shaft 60 cm

The shaft with the sealing ring supplied can be mounted on the filter shaft. The shaft can easily be shortened. Each type of Varitank lid can thus be equated to the ground level on any desired Höhe.

Varitank lid set

For every Varitank filter a wide range of lids is available in traffic classes A, B and D. Check the special Varitank lid page to choose which lid is most suitable for your situation.



Detail: filteraansluitset



Detail: dwarsdoorsnede

SCOPE OF DELIVERY

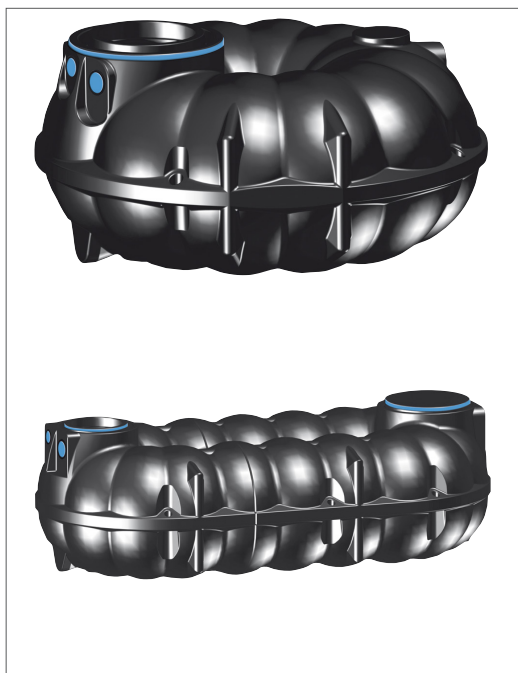
Product consists of: Blueline Varitank, filter box, Trident filter flate with extraction bracket, 2 quiet feed, manhole shaft, filter shaft, 2 rubber rings with lubricant, 2 telescopic tubes, tube dish, 4 filter nozzles. Tanks are delivered in the color black.

ORDERING INFORMATION

Art nr	NAME	PG	Art nr	Options	PG
403211	Blueline Varitank 1.650 - 7.500 liter	3	401213	Sprinkler set Varitank 1.650 Trident filter	2
403212	Blueline Varitank 1.650 - 10.000 liter	3	401251	Automatic time-controlled filter cleaner 1 "	2
Wide range of lids available, see Varitank lids from GEP.			401158	Backflow alarm for Trident filters	2
			403652	Twist floating suction 3 meters	2
			403512	Varitank inner shaft 60 cm	2
			401369	Removal bracket for filter box	2

NEOLINE RAINWATER TANK

Rainwater tank made of plastic, groundwater resistant



PRODUCT DESCRIPTION

The new generation of rainwater tanks, with optional pre-assembled Trident Filter, can be quickly and easily dug in and connected. Very shallow, so very easy to place! Low earthworks and short assembly times. Available up to 40,000 liters. The Neoline Varitank is resistant to groundwater* (up to 50 cm) and class B traffic-loadable. To be excavated to a maximum of 150 cm underground (from top of tank). Pay attention to the installation instructions!

Thanks to the special optional suction set, a large net tank volume is made possible.

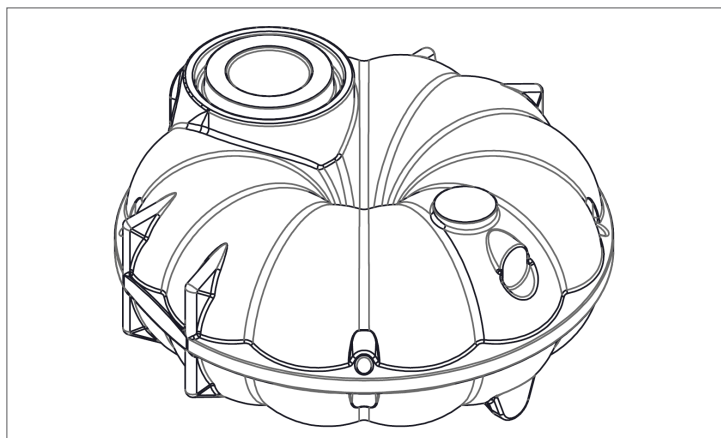
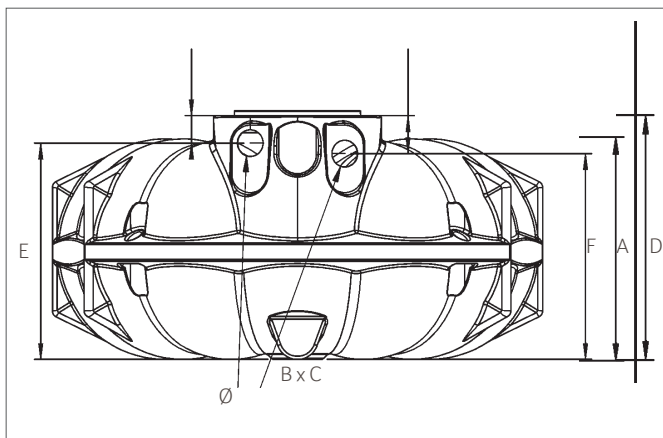
APPLICATION AREA

The Neoline rainwater tanks are designed for the storage of rainwater and must be installed underground. The tanks are resistant to light traffic and can be partially placed in the groundwater.

TECHNICAL DATA NEOLINE REGENWATER

Volume in liter	Height A in cm	Length B in cm	Width C in cm	Height tank D in cm	Inputheight E in cm	Overflow F in cm	Weight in kg
1.500	75	192	192	81	67	21	50
3.000	104.7	234	234	118.2	96.2	27	100
5.000	112	340	232	124.5	102.5	27	170
8.000	126	442	230	141.5	120	31.5	240
10.000	126	542	230	141.5	120	31.5	300
15.000	126	802	230	141.5	120	31.5	460
20.000	126	1062	230	141.5	120	31.5	630
30.000	126	1582	230	141.5	120	31.5	940
40.000	126	2102	230	141.5	120	31.5	1.260

TECHNICAL DRAWINGS



OPTIONS

Garden filter shaft

Filter shaft with built-in filter basket, designed to be placed on a Neoline Rain Wash Tank.

Filter basket insert model

Plug-in filter basket to put in a rain-washing tank over an hwa tube, fine mesh 1 mm filter, diameter 400 mm.

Varitank inner shaft 60 cm

The shaft with the sealing ring supplied can be mounted on the filter shaft. The shaft can easily be shortened. Each type of Varitank lid can thus be equated to the ground level on any desired Höhe.

Clutch kit

Complete set for the coupling of two rain washing tanks s. Set consists of two tank penetrations and compression fittings for a 50 mm connection tube. This tube is not included.

Neoline suction set

Suction set for a high net volume in the tank. Equipped with suction basket with foot valve, coupling to 1 „wire and a float switch with low switching loss.

Varitank lid set

For every Varitank filter a wide range of lids is available in traffic classes A, B and D. Check the special Varitank lid page to choose which lid is most suitable for your situation.

TECHNICAL DIAGRAMS



Neoline tank with garden filter shaft



Garden filter shaft



Filter basket insert model

SCOPE OF DELIVERY

Product consists of: Neoline rainwater tank, with one piece of manhole and three pre-assembled connections of $\varnothing 110$ with rubber cuff and cap. Tanks are delivered in the color black.

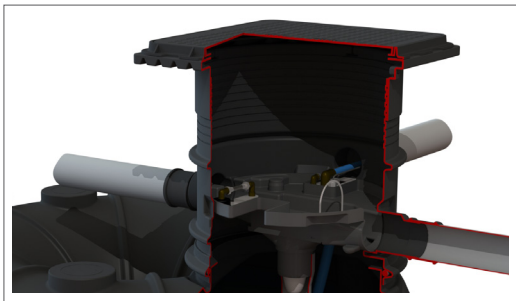
ORDERING INFORMATION

Art nr	NAME	PG	Art nr	NAME	PG
403180	Neoline 1.500 liter	3	403516	Garden filter shaft $\varnothing 315$	3
403181	Neoline 3.000 liter	3	401347	Filter basket insert model	3
403182	Neoline 5.000 liter	3	403512	Varitank inner shaft 60 cm	3
403183	Neoline 8.000 liter	3	403515	Clutch kit 50mm for plastic tanks	3
403164	Neoline 10.000 liter	3	403659	Neoline suction set	2
403165	Neoline 15.000 liter	3			
403166	Neoline 20.000 liter	3			
403167	Neoline 30.000 liter	3			
403168	Neoline 40.000 liter	3			

Wide range of lids available, see Varitank lids from GEP.

NEOLINE VARITANK 325

Rainwater tank made of plastic, groundwater resistant



PRODUCT DESCRIPTION

The new generation of rainwater tanks. Especially developed for rainwater storage, plastic tanks in one piece, seamlessly produced. The tank is equipped as standard with connections of 110 or 125 mm each and a manhole of 60 cm diameter that makes the tank accessible after removal of the Varitank filter. The Neoline Varitank is resistant to groundwater* (up to 50 cm) and is class B traffic taxable.

Tanks are equipped with reinforcement rings for robust stability. The tanks are made of recyclable PE (polyethylene). Tanks can be interconnected with a coupling set. Tanks can be fitted with shafts or lids. (These are not included as standard.)

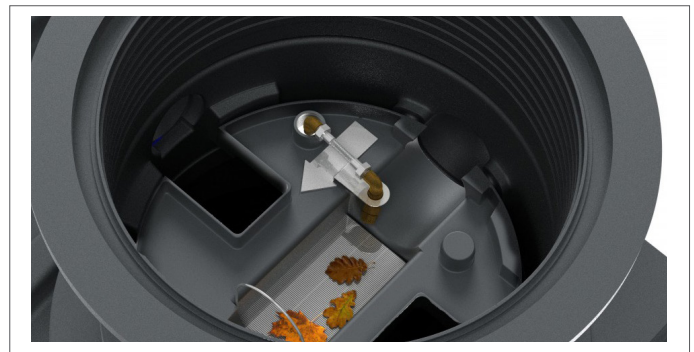
The filter shaft is fitted with a filter tray with child-proof locking devices. The Trident filter flate is integrated in this. The filter shaft is rotatable relative to the tank and can be shortened. Tanks are made of recyclable PE, interlockable with coupling set and expandable with shafts and lids.

APPLICATION AREA

The Neoline rainwater tanks are designed for the storage of rainwater and must be installed underground. The filter capacity of the Trident filter is for a maximum roof area of 325 m². The tanks are resistant to light traffic and can be partially placed in the groundwater. Use the installation instructions.

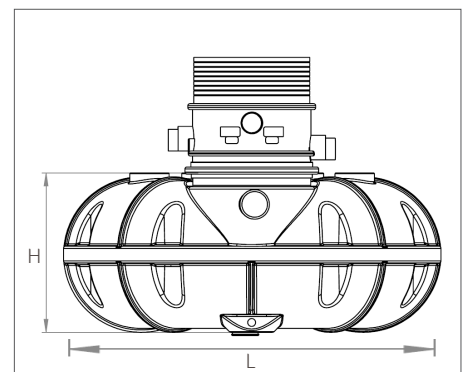
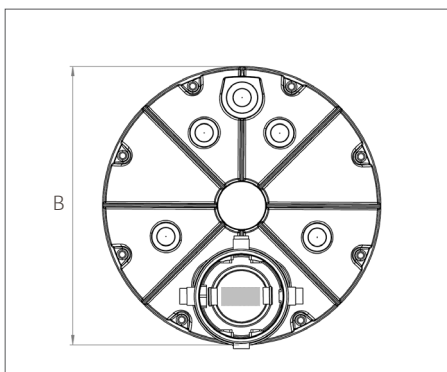
TECHNICAL DATA NEOLINE VARITANK 325

Volume in liter	Length L in cm	Width B in cm	Height tank H in cm	Weight in kg
1.500	192	192	81	50
3.000	234	234	118.2	100
5.000	340	232	124.5	170
8.000	442	230	141.5	240
10.000	542	230	141.5	300
15.000	802	230	141.5	460



Detail child-safe dish with Trident filter and filter cleaner

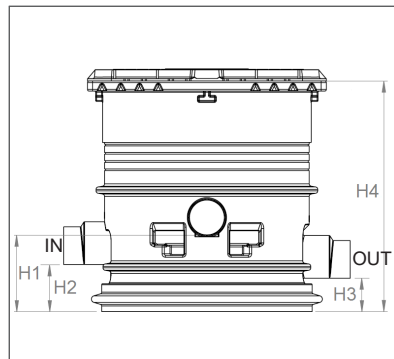
TECHNICAL DRAWINGS



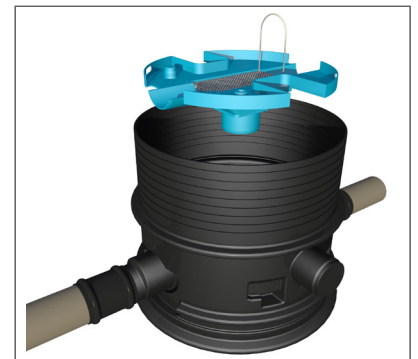
TECHNICAL DATA VARITANK FILTER 325

Height H1 in mm:	223
Height H2 in mm:	137
Height H3 in mm:	97
Height H4 in mm:	450-600
Weight in kg:	20
Connection in / out in mm:	110/125
Connection of casing pipe in mm:	2x 110
Manhole Ø in mm::	600
Max. roof area in m2:	325
Height difference on the drain in mm:	40
Housing material:	PE
Material filter plate:	RVS

TECHNICAL DRAWINGS



PRINCIPESHEMA



OPTIONS

Sprinkler set for Varitank filter 325

The nozzle set ensures that the filter is periodically cleaned. The set consists of a filter nozzle, mounting bracket and hose for the coupling between the filter tray and filter shaft so that the dish remains removable (see 1).

Automatic time-controlled filter cleaner 1/2 "

Time-controlled filter cleaner enables automatic filter cleaning. The nozzle will clean the filter surface at freely adjustable times.

Fine filter bag

The fine filter can be placed under the Trident filter flate. This filter bag filters very finely to a mesh size of 150 µm. This fine filter can be used in places where high demands are placed on water quality (see 2).

Backflow alarm for Trident filters

The filter can be equipped with an alarm sensor that signals backflow from the overflow. This alarm sensor can be connected to an IRM rainwater system that switches to drinking water as soon as an alarm signal comes from the sensor. This prevents contamination of the pump, sanitary pipes and appliances

Varitank inner shaft 60 cm

The shaft with the sealing ring supplied can be mounted on the filter shaft. The shaft can easily be shortened. Each type of Varitank lid can be easily equated to the ground level.

Check valve for Trident 150 tank filter

Valve to place behind the filter in the drain. Plug-in model, suitable for 110 mm pipe sections. Reduces the risk of backflow from the overflow towards the tank. Material polypropylene black, with flexible rubber lining.

Clutch kit

Complete set for coupling two rainwater tanks together. Set consists of two tank penetrations and compression fittings for a 50 mm connection tube. This tube is not included.

Neoline suction set

Suction set for a high net volume in the tank. Equipped with suction basket with foot valve, coupling to 1 "wire and a float switch with low switching loss.

Varitank lid set

For every Varitank filter a wide range of lids is available in traffic classes A, B and D. Check the special Varitank lid page to choose which lid is most suitable for your situation.

SCOPE OF DELIVERY

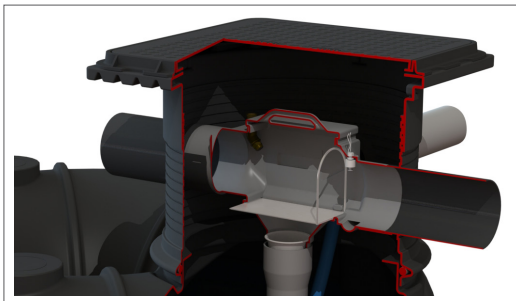
Product consists of: Neoline Varitank, filter dish, Trident filter flate with removal bracket, quiet supply, telescopic tube, child-proof lockings and rubber ring with lubricant. Tanks are delivered in the color black.

ORDERING INFORMATION

Art nr	NAME	PG	Art nr	Options	PG
403184	Neoline Varitank 325 - 1.500 liter	3	401152	Sprinkler set for Varitank filter 325	2
403185	Neoline Varitank 325 - 3.000 liter	3	401155	Automatic time-controlled filter cleaner 1/2 "	2
403186	Neoline Varitank 325 - 5.000 liter	3	401157	Fine filter bag	2
403187	Neoline Varitank 325 - 8.000 liter	3	401158	Backflow alarm for Trident filters	2
403188	Neoline Varitank 325 - 10.000 liter	3	403512	Varitank inner shaft 60 cm	3
403189	Neoline Varitank 325 - 15.000 liter	3	401165	Check valve for Trident 150 tank filter	2
Wide range of lids available, see Varitank lids from GEP.			403515	Clutch kit 50mm for plastic tanks	3
			403659	Neoline suction set	2

NEOLINE VARITANK 450

Rainwater tank made of plastic, groundwater resistant



trident
Advanced Filtrertechnology

PRODUCT DESCRIPTION

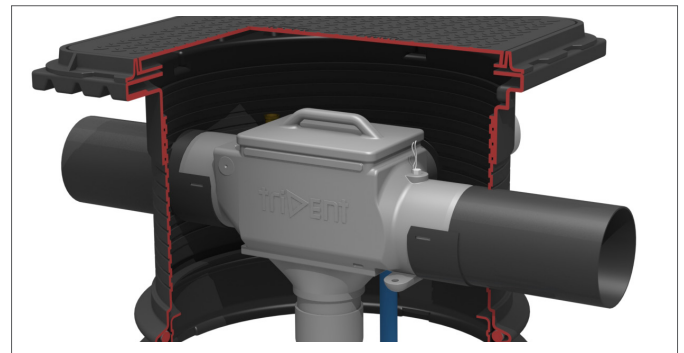
The new generation of rainwater tanks, with optional pre-assembled Trident filter, can be quickly and easily dug in and connected. Very shallow, so very easy to place! Low earthworks and short assembly times. Available up to 40,000 liters. The Neoline Varitank is resistant to groundwater* (up to 50 cm) and class B traffic-loadable. Thanks to special float switch, a large net tank volume is made possible. The filter shaft is provided with a filter housing in which the Trident filter flate is located. The filter housing can be disassembled via click connections, which makes the tank accessible. The filter shaft is rotatable relative to the tank and can be shortened. Neoline tanks can be interconnected with a coupling set. Tanks can be fitted with shaft extensions or lids. (These are not included as standard)

APPLICATION AREA

The Neoline rainwater tanks are designed for the storage of rainwater and must be installed underground. The filter capacity of the Trident filter shaft is for a roof surface of up to 450 m². The tanks are resistant to light traffic and can be partially placed in the groundwater. Use the installation instructions.

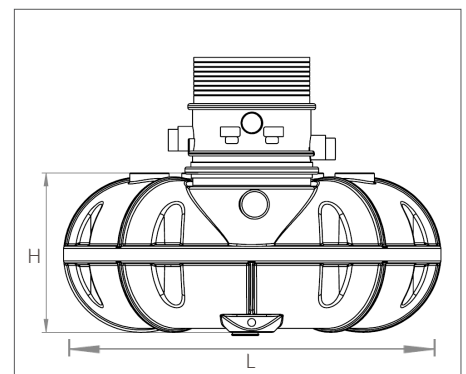
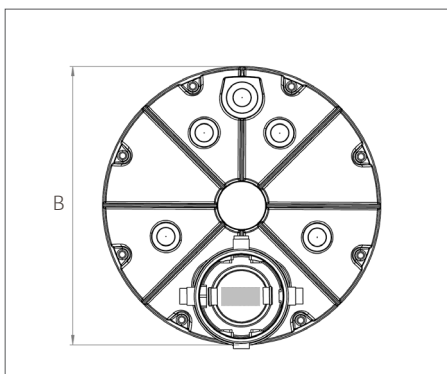
TECHNICAL DATA NEOLINE VARITANK 450

Volume in liter	Length L in cm	Width B in cm	Height H in cm	Weight in kg
1.500	192	192	75	50
3.000	234	234	104.7	100
5.000	340	232	112	170
8.000	442	230	126	240
10.000	542	230	126	300
15.000	802	230	126	460



Detail of pre-assembled Trident 450 tank filter

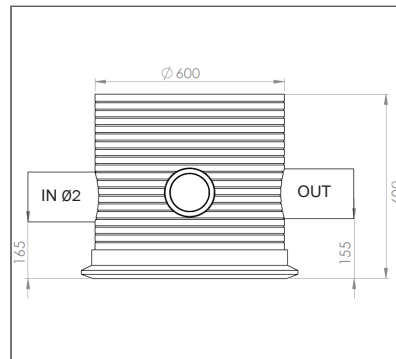
TECHNICAL DRAWINGS



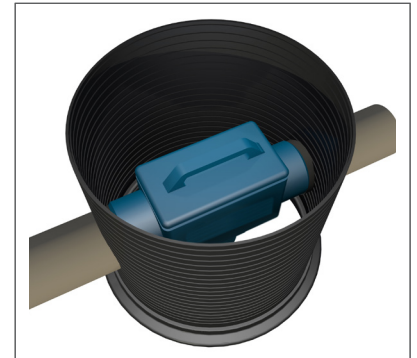
TECHNICAL DATA VARITANK FILTER 450

Height H1 in mm	223
Height H2 in mm	137
Height H3 in mm	97
Height H4 can be shortened in mm	350-600
Connection of inlet IN in mm	Ø160
Connection overflow OUT in mm	Ø160
Connection of casing pipe in mm	2 x Ø110
Manhole in cm	Ø60
Material shaft	PE
Material filter plate	RVS

TECHNICAL DRAWINGS



PRINCIPESHEMA



OPTIONS

Nozzle set for 450 tank filter

The nozzle set ensures that the filter is periodically cleaned. The set consists of a filter nozzle, mounting bracket and hose for the coupling between the filter tray and filter shaft so that the dish remains removable.

Automatic time-controlled filter cleaner 1/2 "

Time-controlled filter cleaner enables automatic filter cleaning. The nozzle will clean the filter surface at freely adjustable times.

Fine filter bag

The fine filter can be placed under the Trident filter flate. This filter bag filters very finely to a mesh size of 150 µm. This fine filter can be used in places where high demands are placed on the water quality.

Backflow alarm for Trident filters

The filter can be equipped with an alarm sensor that signals backflow from the overflow. This alarm sensor can be connected to an IRM rainwater system that switches to drinking water as soon as an alarm signal comes from the sensor. This prevents contamination of the pump, pipes and equipment.

Varitank inner shaft 60 cm

The shaft with the sealing ring supplied can be mounted on the filter shaft. The shaft can easily be shortened. Each type of Varitank lid can thus be equated to the ground level on any desired Höhe.

Clutch kit

Complete set for the coupling of two rain washer tanks to each other. Set consists of two tank penetrations and compression fittings for a 50 mm connection tube. This tube is not included.

Neoline suction set

Suction set for a high net volume in the tank. Equipped with suction basket with foot valve, coupling to 1 "wire and a float switch with low switching loss.

Varitank lid set

For every Varitank filter a wide range of lids is available in traffic classes A, B and D. Check the special Varitank lid page to choose which lid is most suitable for your situation.

SCOPE OF DELIVERY

Product consists of Neoline Varitank, filter housing, filter cover and Trident filter flate with removal bracket, quiet supply and telescopic tube and rubber ring with lubricant. Tanks are delivered in the color black.

ORDERING INFORMATION

Art nr	NAME	PG	Art nr	Options	PG
403190	Neoline Varitank 450 - 1.500 liter	3	401151	Nozzle set for 450 tank filter	2
403191	Neoline Varitank 450 - 3.000 liter	3	401155	Automatic time-controlled filter cleaner 1/2 "	2
403192	Neoline Varitank 450 - 5.000 liter	3	401157	Fine filter bag	2
403193	Neoline Varitank 450 - 8.000 liter	3	401158	Backflow alarm for Trident filters	2
403194	Neoline Varitank 450 - 10.000 liter	3	403512	Varitank inner shaft 60 cm	2
403195	Neoline Varitank 450 - 15.000 liter	3	403515	Clutch kit 50mm for plastic tanks	3
Wide range of lids available, see Varitank lids from GEP.			403659	Neoline suction set	2

NEOLINE VARITANK 1.650

Rainwater tank made of plastic, groundwater resistant



trident
Advanced Filtrertechnology

PRODUCT DESCRIPTION

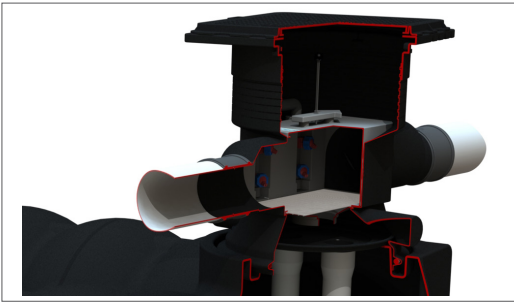
The new generation of rainwater tanks, with optional pre-assembled Trident filter, can be quickly and easily dug in and connected. Only 126 cm deep, so very easy to place! Low earthworks and short assembly times. Available from 10,000 to 50,000 liters. The Neoline Varitank is resistant to groundwater* (up to 50 cm) and class B traffic-loadable.

Thanks to special float switch, a large net tank volume is made possible. The Trident rainwater filter is mounted in a filter box. The entire box is very easy to remove, which makes a simple inspection possible. Filter is equipped with nozzles for automatic filter cleaning. Tanks are provided with lifting eyes.

The filter shaft is provided with a filter box in which the Trident filter flate with the filter nozzles is located. The tank is accessible via the manhole shaft. Both the manhole shaft and the filter shaft are rotatable relative to the tank and can be shortened. Neoline tanks can be interconnected with a coupling set. Tanks can be fitted with shaft extensions or lids. (These are not included as standard)

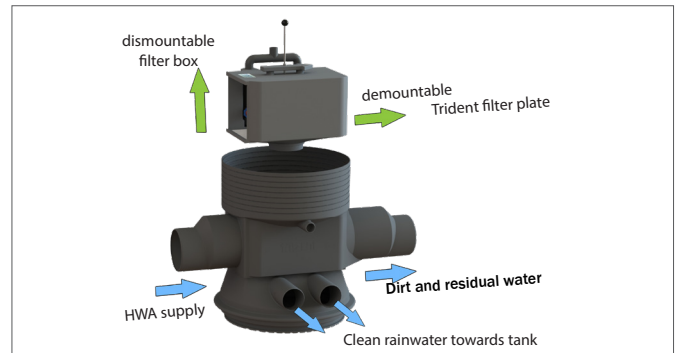
APPLICATION AREA

The Neoline rainwater tanks are designed for the storage of rainwater and must be installed underground. The filter capacity of the Trident filter is for a maximum roof area of 1,650 m². The tanks are resistant to light traffic and can be partially placed in the groundwater. Use the installation instructions.

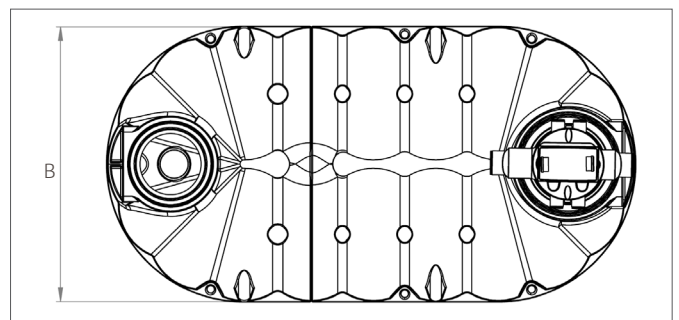
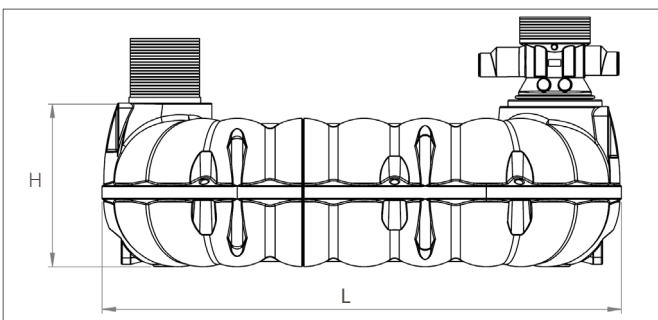


TECHNICAL DATA VARITANK NEOLINE VARITANK 1.650

Volume in liter	Length L in cm	Width B in cm	Height H in cm	Weight in kg
10.000	543	230	126	300
20.000	1062	230	126	640
30.000	1582	230	126	980
40.000	2102	230	126	1.320
50.000	2622	230	126	1.650



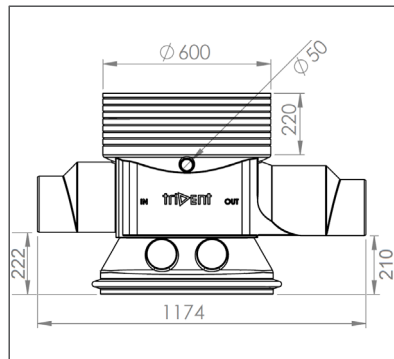
TECHNICAL DRAWINGS



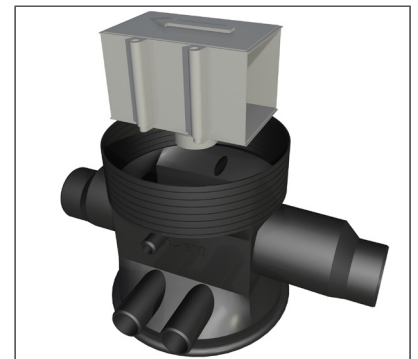
TECHNICAL DATA VARITANK FILTER 1.650

Height in mm:	717
Weight in kg:	ca. 50
Input \varnothing in mm:	200/250
Drain off dirt \varnothing in mm:	200/250
Height difference on the drain in mm:	12
Drain clean \varnothing in mm:	2 x 110
Mantel tube \varnothing in mm:	50
Manhole \varnothing in mm:	600
Housing material:	PE
Material filter plate:	RVS
Connection of nozzle (optional):	1"

TECHNICAL DRAWINGS



PRINCIPESHEMA



OPTIONS

Sprinkler set for Varitank 1.650 Trident filter

The nozzle set ensures that the filter is periodically cleaned. The set consists of a filter nozzle, mounting material and tubes for the coupling between the filter box and filter shaft so that the filter box remains removable.

Automatic time-controlled filter cleaner 1 "

Time-controlled filter cleaner enables automatic filter cleaning. The nozzle will clean the filter surface at freely adjustable times.

Backflow alarm for Trident filters

The filter can be equipped with an alarm sensor that signals backflow from the overflow. This alarm sensor can be connected to an IRM rainwater system that switches to drinking water as soon as an alarm signal comes from the sensor. This prevents contamination of the pump, sanitary pipes and appliances.

Varitank inner shaft 60 cm

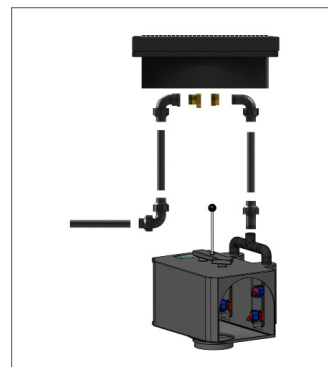
The shaft with the sealing ring supplied can be mounted on the filter shaft. The shaft can easily be shortened. Each type of Varitank lid can thus be equated to the ground level on any desired Höhe.

Neoline suction set

Suction set for a high net volume in the tank. Equipped with suction basket with foot valve, coupling to 1 "wire and a float switch with low switching loss.

Varitank lid set

For every Varitank filter a wide range of lids is available in traffic classes A, B and D. Check the special Varitank lid page to choose which lid is most suitable for your situation.



SCOPE OF DELIVERY

Product consists of: Neoline Varitank, filter housing, Trident filter flate with extraction bracket, 2 quiet feed, manhole shaft, filter shaft, 2 rubber rings with lubricant, 2 telescopic tubes, tube tray, 4 filter nozzles. Tanks are delivered in the color black.

ORDERING INFORMATION

Art nr	NAME	PG	Art nr	Options	PG
403175	Neoline Varitank 1.650 - 10.000 liter	3	401213	Sprinkler set Varitank 1.650 Trident filter	2
403176	Neoline Varitank 1.650 - 20.000 liter	3	401251	Automatic time-controlled filter cleaner 1 "	2
403177	Neoline Varitank 1.650 - 30.000 liter	3	401158	Backflow alarm for Trident filters	2
403178	Neoline Varitank 1.650 - 40.000 liter	3	403512	Varitank inner shaft 60 cm	2
403179	Neoline Varitank 1.650 - 50.000 liter	3	403659	Neoline suction set	2

Wide range of lids available, see Varitank lids from GEP.

GEP WATER BAG SYSTEM

Water bag for storage of rain water



PRODUCT DESCRIPTION

Specifically developed for rainwater utilization, flexible water bag system. Special light-proof material prevents algae formation. The flexible water bag is fitted with fastening rings, fill pipe connection and venting. The water bag includes 4 hanging eyes at the top, a vent of 75 mm at the top and a supply tube of 110 mm at the bottom of the bag.

The plastic shaft is equipped with integrated quiet feed, overflow siphon and flexible suction and a bottom / side connection to which the filling pipe of the flexible water bag can be connected. The shaft is around 31.5 cm, has a Width of 100 cm and the following connections: supply 110 mm, bag connection 110 mm and a built-in overflow siphon of 110 mm.

The water bag consists of a shaft and a storage bag, linked by a bottom connection, so that a communicating vessel is created.

APPLICATION AREA

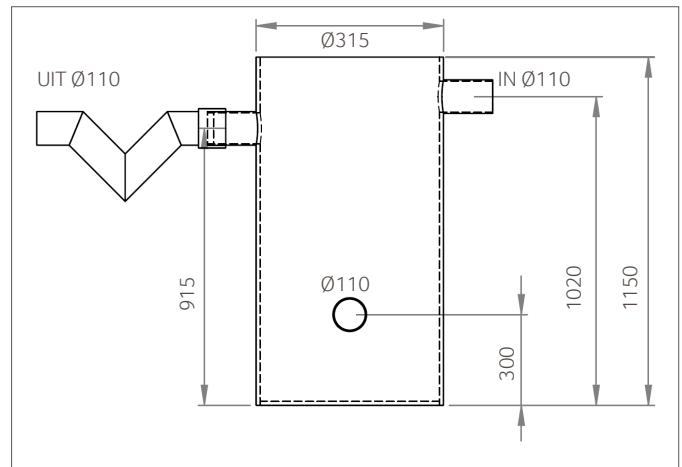
The water bag system is suitable for storing rainwater in cellars or crawl spaces

TECHNICAL DATA GEP WATER BAG SYSTEM

Volume in Liter	Length in cm	Width in cm	Connection below	Connection above
ca. 2.000	200	300	Ø110	Ø75
ca. 4.000	200	600	Ø110	Ø75
ca. 6.000	400	400	Ø110	Ø75
ca. 8.000	400	500	Ø110	Ø75
ca. 10.000	500	500	Ø110	Ø75
ca. 12.000	500	600	Ø110	Ø75
ca. 15.000	600	600	Ø110	Ø75
ca. 20.000	800	600	Ø110	Ø75

SCOPE OF DELIVERY

Product consists of: a water bag with vent, water shaft and siphon tube



ORDERING INFORMATION

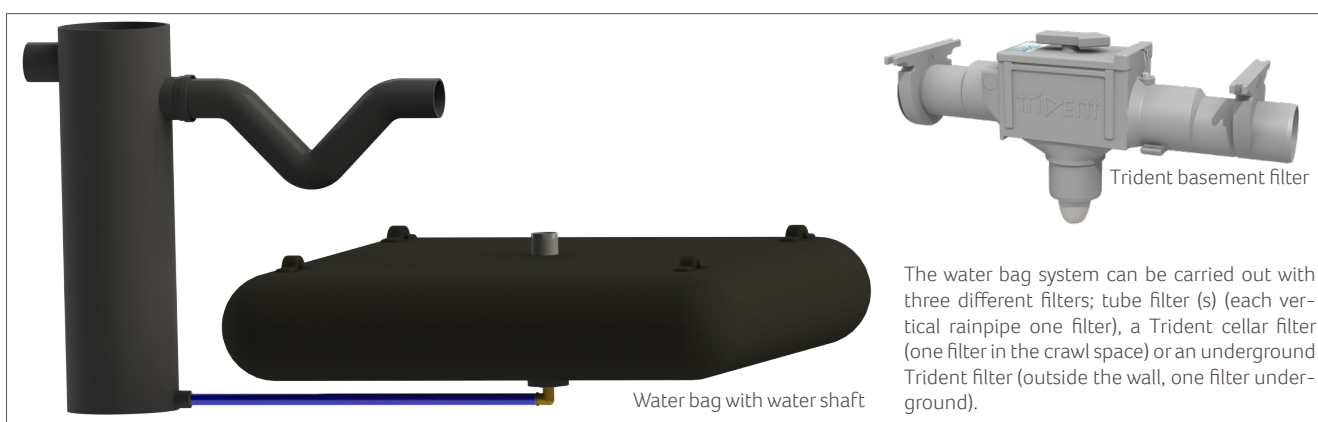
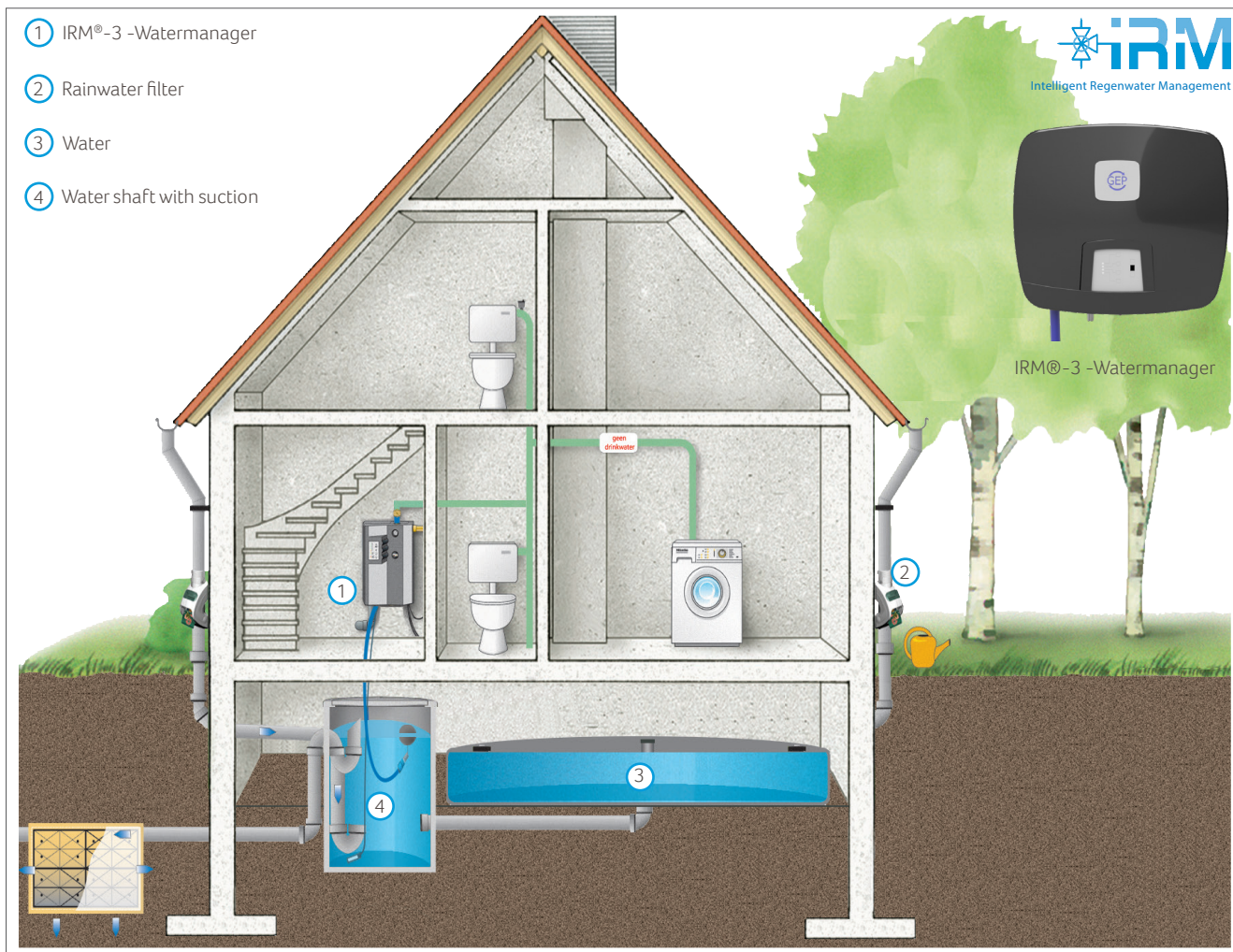
Art.-Nr.	Omschrijving	PG
403701	Water bag 2.000 liter with water shaft	3
403705	Water bag 4.000 liter with water shaft	3
403708	Water bag 6.000 liter with water shaft	3
403710	Water bag 8.000 liter with water shaft	3
403712	Water bag 10.000 liter with water shaft	3
403713	Water bag 12.000 liter with water shaft	3
403714	Water bag 15.000 liter with water shaft	3
403715	Water bag 20.000 liter with water shaft	3
403659	Neoline-Water bag suction set	2
401126	Trident 150 cellar filter	2

TECHNICAL DATA GEP WATER BAG SYSTEM

Connection supply	110 mm
Connection overflow	110 mm
Connection of filling line	110 mm
Diameter shaft	Ø 315 mm
Height shaft	1,150 mm
Material shaft	PE plastic
Material Water bag	black EPDM
Material thickness	1.2 mm
Material fastening rings	plastic
Suction line connection	1" bu

GEP WATER BAGSYSTEM

Flexibel and quick to place



BENEFITS

- Very safe operation thanks to internal supplementation based on EN1717, Belgaqua and KIWA approved
- Quick and easy assembly thanks to plug-in ready delivery
- Extremely quiet operation thanks to sound-deadening design housing and silent float
- Universally applicable thanks to flexible water bag
- Applicable for renovation construction, no excavation work
- Fully automatic and compact thanks to IRM® technology with built-in pump and control
- Customization possible, for cellars and crawl spaces with a hard floor, the water bag and shaft is available with 1" connection for a flexible hose instead of a 110 mm tube.



INNER TANK

Above ground tank for rainwater



PRODUCT DESCRIPTION

The tanks are seamlessly produced from one piece so guaranteed to be waterproof. The plastic tanks type AquaFlow AQF are available in different versions and volumes. The tanks are characterized by their sturdy constructional features and handles for easy installation. The tanks are standard equipped with a childproof lid of 240 mm diameter.

The types AQF 570 and 690 are also equipped with a number of additional connections. These tanks are therefore often used in specific applications such as hot water, greywater, rainwater, heat storage and disconnect tanks with built-in pumps.

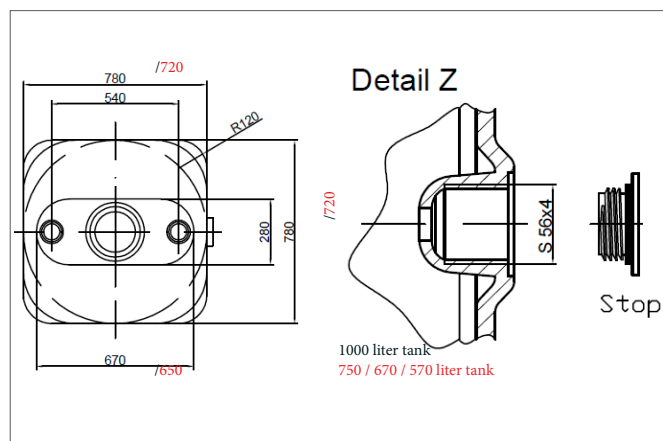
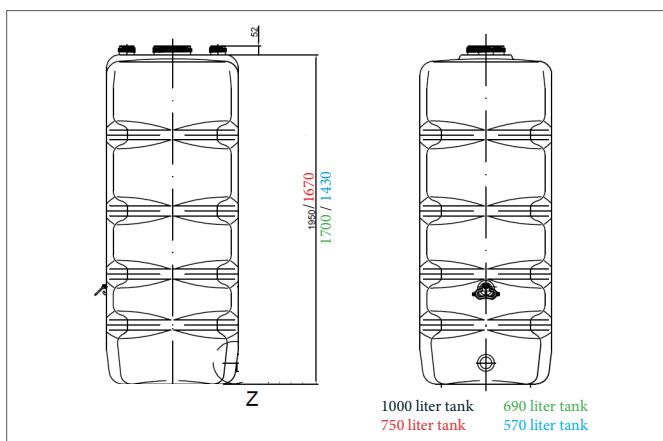
Specific customer requirements such as an extra wide lid of 540 mm, extra connections or an insulation jacket are possible. The AQF tanks are

TECHNICAL DATA GEP BINNENTANKS

Volume in liter	Length B in cm	Width C in cm	Height tank A in cm	Weight in kg
570	72	72	143	18
690	72	72	170	22
750	72	72	172	24
1000	78	78	200	30

Connections: Above 2 x 2 " Under 2 x S56X4

TECHNICAL DRAWINGS



ORDERING INFORMATION

Art nr	NAME	PG
403801	Inner tank AQF 570 liters	3
403802	Inner tank AQF 690 liters	3
403803	Inner tank AQF 750 liters	3
403804	Inner tank AQF 1000 liters	3
403854	Gradient S56X4 to 6/4 " Bi	3
403851	Connection set basic tank	3
403852	Connection set expansion tank	3





PRODUCTOMSCHRIJVING

Speciaal voor regenwater ontwikkelde modulaire tanks met hoge vormstabiliteit dankzij constructiewijze en stalen banden. Uit één stuk gefabriceerd, absoluut waterdicht. De binnentanks zijn vervaardigd van UV Lichtdicht materiaal, dit voorkomt algengroei. Tanks kunnen op klantwens worden uitgevoerd met ingebouwde rustige toevoer en overloopsifon.

De binnentanks zijn voorzien van een Manhole met kindveilig deksel. Met behulp van een aansluitset voor uitbreidingstanks is iedere gewenste tank-inhoud samen te stellen. De binnentanks zijn voorzien van draaggrepen ten behoeve van plaatsing en transport. Er zijn speciale flensflaten leverbaar met verschillende aansluitingen, onder andere is er een flens-aansluitset 2" leverbaar, die is noodzakelijk bij koppeling van 5 of meer tanks. Op specifieke klantwens zijn er maatwerk aansluitingen mogelijk.

SCOPE OF DELIVERY

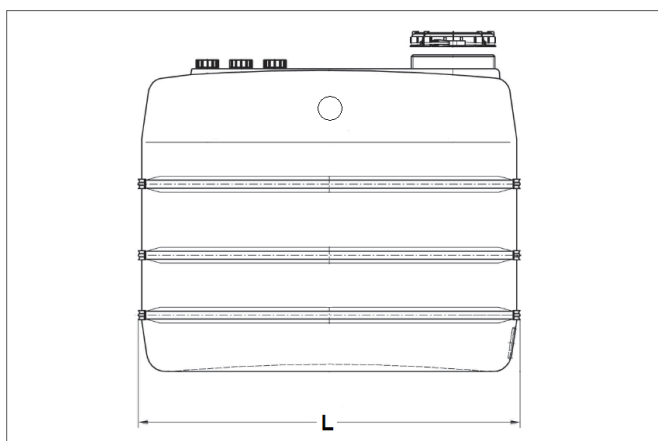
Product bestaat uit: kunststof binnentank, inclusief deksel, sluiting en stalen bandages.

TECHNICAL DATA BINNENTANKS INDUSTRIE

Volume in liter	Length L in cm	Width B in cm	Height H in cm	Height *O in cm	Weight in kg
1.100	140	82	140	108	55
1.500	156	82	164	134	73
2.000	207	82	169	132.5	113
3.000	223	109.5	165	128	169
4.000	243	109.5	195	145	239

* O: The plastic inner tanks can be fitted with a pre-assembled overflow siphon. In that case, the Height O is relevant

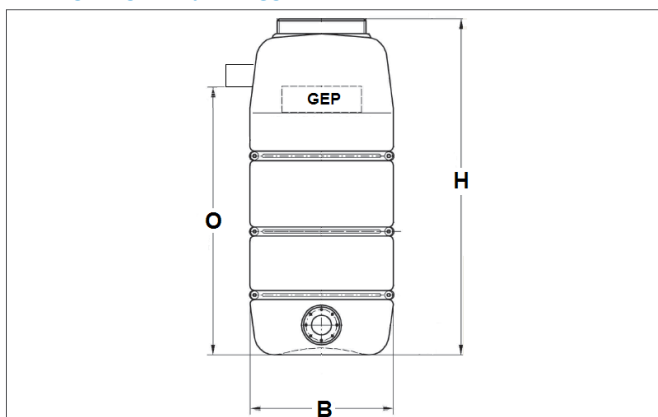
TECHNICAL DRAWINGS



ORDERING INFORMATION

Art nr	NAME	PG
403807	Inner tank industry 1,100 liters	3
403809	Inner tank industry 1,500 liters	3
403811	Inner tank industry 2,000 liters	3
403813	Indoor tank industry 3,000 liters	3
403815	Inner tank industry 4,000 liters	3
403855	Inner tank Flange 1 " bi connection	3
403857	Inner tank Flange piece 6/4 " bi connection	3
403853	Inner tank Flange 2 " bi connection	3
403851	Connection set basic tank	3
403852	Connection set expansion tank	3

TECHNICAL DRAWINGS





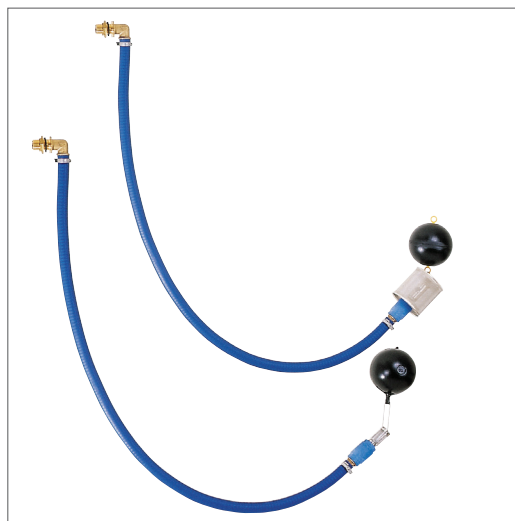
RUSTIGE TOEVOER

Product benefits

- high water quality, increases oxygen content
- protects pump, no resuspension of sediment
- sturdy mounting foot with dilated outlet
- full passage
- ready-to-use component

product specifications

Quiet supply prevents turbulence of the layer of sediment in the tank, thus ensuring a biological balance of the water. Complies with DIN 1986 Plug-in connection: DN 110 Material: recyclable black PE



DRIJVENDE AANZUIGING

Complete set for flexible floating suction in the tank. The set consists of a brass tank penetration with an extended thread to ensure a good fixation. The hose has a pressed coupling to prevent the intake of air. The floater is produced in one piece to avoid leakage. Available in a version with 2 or 3 meter hose.

In addition, there are two types of suction baskets the Twist and the Saff. The Twist has a coarse mesh size of 1 mm and the Saff a fine mesh size of 0.44 mm. In principle, the Twist is intended for rainwater systems with a Trident pre-filter and the Saff for systems without a pre-filter.

The special tank penetration with special flexible hose prevents frictional forces, so that the watertightness is guaranteed even after several years.

SCOPE OF DELIVERY

When using the floating suction units TWIST and SAFF, the water is sucked in 15 cm below the water level. There is the purest water in a tank. With a low water level, the hose length prevents the suction basket from falling on the bottom. So be



OVERLOOPSIFON

Ready-to-use component in siphon form as a stench trap for sewers. Siphon is extra deep to prevent dehydration. Slanted side of siphon stops vortex formation in tank. Siphon is equipped with a 500-pint to support the weight of the (full) siphon on the side wall of the Rain-washing tank or well. Optionally, the siphon can be fitted with a stainless steel valve against rats. Complies with DIN 1986. The siphon can also be fitted with an electric alarm generator when returning from the sewer. This can be connected to IRM controllers TEO, Watermanager and Hybrid.

Material: black PE Plug-in socket: DN110, DN50 post

Project:

Street:

location:

The values below apply as guideline and rule of thumb and relate to a period of one year. For a detailed computer simulation you can always contact us.

RAINWATER COLLECTION

GEP PROJECTED ROOF SURFACE

The projected roof surface is the horizontal roof surface including mitres, so independent of roof shape and roof pitch.

ANNUAL PRECIPITATION

The annual precipitation depends on the construction location. On average this is in the Benelux 775. Is shown in virtually every atlas and on the internet site www.gep-rainwater.com

REDUNDANCY COEFFICIENT

Roof material	Redundancy coefficient
Glazed roof tiles	0,9
Concrete roof tiles	0,8
Flat smooth roof	0,6
Flat roof with gravel	0,4

$$\begin{matrix} \text{Geprojecteerd} \\ \text{dakoppervlak} \end{matrix} \times \begin{matrix} \text{Neerslag} \\ \text{l/m}^2 \end{matrix} \times \begin{matrix} \text{Afvloeiingscoëf-} \\ \text{ficiënt} \end{matrix} = \begin{matrix} \text{Regenwater-} \\ \text{opvang} \\ \text{l} \end{matrix}$$

WATERVERBRUIK

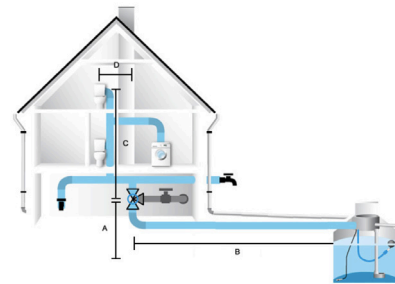
Use	Annually consumption	Number people	Total
Toilet	10.000 l	x	=
Washing machine	5.000 l	x	=
Cleaning	1.000 l	x	=
Garden	60 l x m ²	x]	=
remaining		x	=

Guide values for utility construction:

School: 1,000 l / Person

Office: 2.500 l / Person

$$\text{Water consumption} = \Sigma =$$



Prepare your design online with the GEP calculation module www.gep-rainwater.com

MINIMUM CONTENT OF RAINWATER TANK

$$\begin{matrix} \text{Calculation factor}^* \\ \text{l} \end{matrix} \times \begin{matrix} \text{Time constant} \\ 25 : 365 \end{matrix} = \begin{matrix} \text{Net tank capacity} \\ \text{l} \end{matrix}$$

* The smallest value of rainwater collection and water consumption is the calculation factor.

For Flanders, there is a minimum buffer capacity that is laid down in a decision of the Ministry of the Flemish Community, the so-called urban development regulation. Here, the volume of the pit is dependent on the roof surface and the possibility of infiltration and / or retention. You can download this complete decision on the internet site: www.gep-rainwater.com

If you have any questions, contact us or see the internet: www.gep-rainwater.com

“Rethinking water for the future”

GEP offers a broad range of climate adaptive solutions for the reuse of water. Moreover, GEP continues where others stop: we consistently work on new products and systems to provide an innovative response to today's and tomorrow's ecological demands.

GEP Watermanagement

Over the past 20 years GEP Rain water has developed into a leading supplier of rain water systems. Our designs and products offer total solutions for environmentally sound decentralised water management. With our 3 branches in Belgium, Germany and The Netherlands we have found the optimal mix of knowledge transfer and product and market optimisation.



BELGIUM	16	Years
THE NETHERLANDS	21	Years
GERMANY	04	Years

GEP's Mission

GEP's ambition is to develop and supply systems for decentralised environmentally sound water management. In doing so we want to improve the quality of the water, reuse the water and prevent flooding. GEP wants to deliver sustainable, safe and source directed water system with and for our clients, where price, environment and savings form a perfect balance. This way GEP wants to make the disconnection and the usage of rain water accessible for everybody.

We are happy to help you.



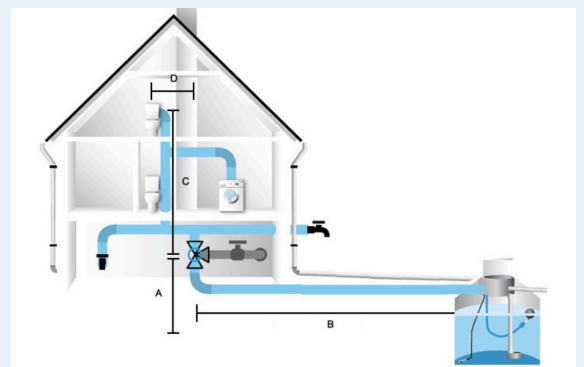
GEP has a broad and high-quality assortment with which a suitable water system can be put together for every project

Fred Prins
-GEP Advisor-

Our activities and products.

- Rainwater
- Disconnection & infiltration
- Wastewater
- Greywater
- Breaktanks
- Drinkingwater
- Price list

www.regenwater.com/rekenmodule



Discover our calculation module

Calculate your rainwater system quickly online



rethinking water

GEP Watermanagement cvba
+32 (0) 89 23 80 08
Henry Fordlaan 53 - 3600 Genk
www.regenwater.be

GEP Water BV
+31 (0) 183 61 05 20
Kolk 52, 4241 TJ Arkel
www.regenwater.com

GEP Wassermanagement GmbH
+49 (0) 2243 9003 180
Spinnerweg 51-54, 53783 Eitorf
www.gep-regenwasser.de